

LIVING DISTRICT

Collection: Celeste

Installation manual for:

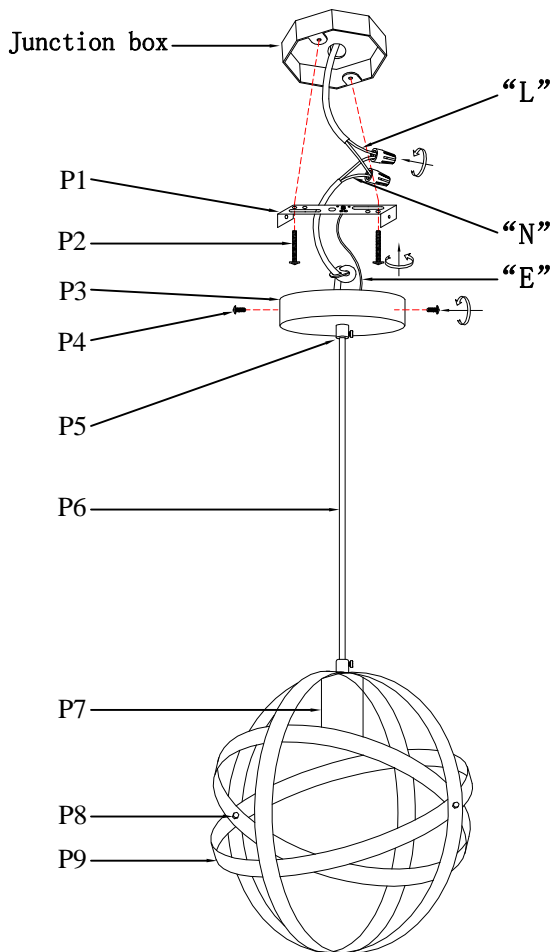
LD2341 D9. 8"H10. 4"L1

Installation instructions:

1. Secure Mounting bracket(P1) to the junction box.
2. Insert screws(P2) in side of top unit the mounting bracket.
3. Black wire from ceiling(junction box) attaches to "L" wire from the fixture.
4. White wire from ceiling(junction box) attaches to "N" wire from the fixture.
5. "E" wire from the fixture is attached to the mounting bracket and an additional "E" wire from the mounting bracket must be secured to the junction box.
6. Fix the Canopy(P3) to the Mounting bracket(P1) and tighten by the screws(P4).
7. Adjust the angle of the Lamphshade(P9) and tighten the screws(P8).
8. Install the bulbs(bulbs not included) into the lampholder(P7).

The end!

PARTS LIST



part	picture	Description	Qty	Check list
P1		L4. 5" Mounting bracket	1	
P2		5/32-32 Screw	2	
P3		ø4. 7" Metal Canopy	1	
P4		M4 Screw	2	
P5		Wire lock	2	
P6		Power Cord 60" 18# Black	1	
P7		E26 Metal Cup	1	
P8		M4 Screw	2	
P9		ø9. 8" Metal shade	1	

"L" = Hot wire
 "N" = Neutral wire
 "E" = Ground wire