



AT200[®]LS SPALET[®]

INTEGRATED ELECTRONIC BIDET TOILET



ROUGH IN DIAGRAM SHOWN
ON NEXT PAGE



Meets the Americans with Disabilities Act Guidelines and ANSI A117.1 Requirements for Accessible and Usable Building Facilities-Check Local Codes.

D29030CS416-415 Seat and Bowl Combo

FEATURES

- Sleek and simple with full skirt & low height design
- Water Sense dual flush 1.32-0.92 gpf/4.9-3.4 Lpf
- Automatic open/slow-close lid & seat
- Adjustable, automatic flush setting (off, 2, 6, 10, 15 second delay options)
- Heated seat (6 of levels)
- Warm air dryer (4 temperature levels)
- Dual, adjustable, self-cleaning water sprays for independent front and back cleansing
- Nozzle Shutter to conceal the water sprays
- Adjustable water control settings; pressure (6 levels), temperature (6 levels), massage and oscillation
- Air Shield deodorizer with replaceable charcoal filter
- Air Sterilization (Plasmacluster) w/ blue light (Bowl - operates when the SpaLet is being used)
- Room Refresh Deodorizer (Plasmacluster- does not operate when Spalet is being used)
- Hyper Clean Surface to prevent scratches & preserve cleanliness of the bowl
- Prewash to help prevent buildup (on/off option)
- Power Stream Flush: double vortex flush with siphon jet
- External manual flush button for power outages
- Innovative seat sensor technology
- One-touch power save (8 hours)
- In-line easy to access water strainer
- Soft night light Bowl + Seat (on/off / on all the time option)
- Remote Control with LED screen
- Vitreous China compact elongated bowl

DIMENSIONS

NOMINAL DIMENSIONS

14-3/4" x 15-3/4" x 25-13/16" (375 x 400 x 655 mm)

COLORS/FINISHES

Canvas White (415)

COMPONENTS

D23045CS11S-415 AT200LS SpaLet Electronic Bowl Unit

D28035AS416-415 AT200LS SpaLet Electronic Seat Unit

COMPLIANCE CERTIFICATIONS

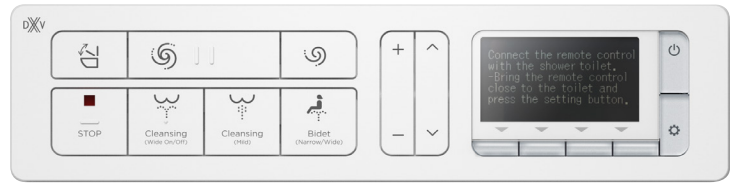
Meets or Exceeds ASME A112.19.2 / CSA B45.1,
ASME A112.4.2 / CSA B45.16, UL 1431,
CSA C22.2 No. 68-14 Update No. 3, CSA C22.2 No. 64-14

EPA WaterSense[®] Certified

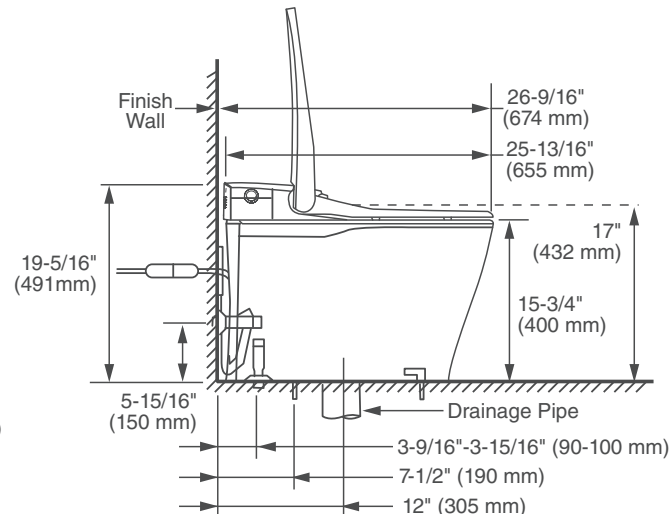
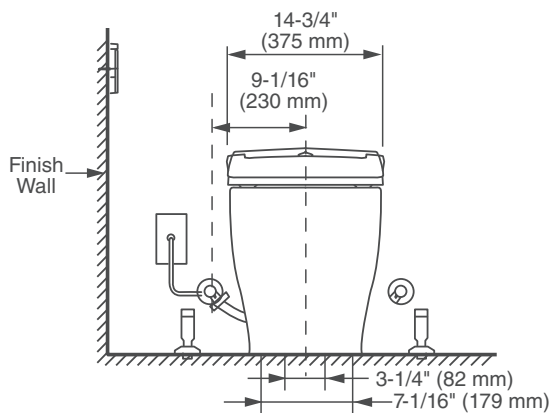
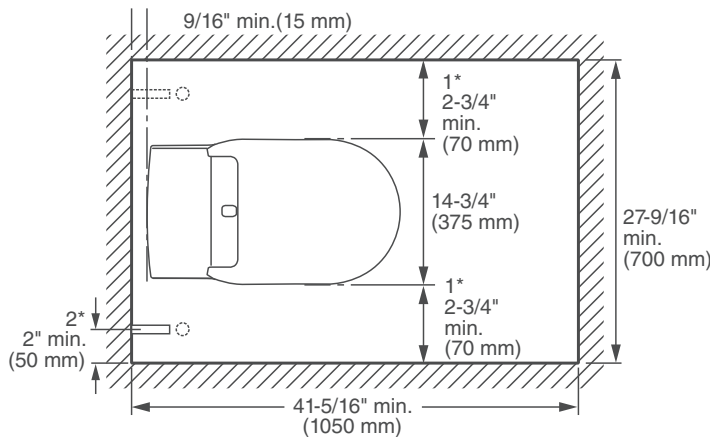


AT200[®] LS SPALET[®]

INTEGRATED ELECTRONIC BIDET TOILET



REMOTE CONTROL



Water Spot Dimensions: 8" x 6-1/16" (204 x 154.5 mm)

NOTES:

This bidet toilet is designed to rough-in at a minimum dimension of 12" (305 mm) from finished wall to C/L of outlet.

Includes flex supply with integral shutoff valve, seat and bolt caps.

Dimensions shown for location of supply is suggested.

Location of the stop valve(water supply) can be adjusted in between the range listed below:

- Stop Valve (water supply) on the wall.

Width: 9-1/16" (230 mm) to 19-11/16" (500 mm) on both left or right from the center of closet flange

Height: 1-31/32" (50 mm) to 23-5/8" (600 mm) from the floor

- Stop valve (water supply) on the floor.

Width: 9-27/32" (250 mm) to 19-11/16" (500 mm) on both left or right from the center of closet flange

Length: 1-31/32" (50 mm) to 5-29/32" (150 mm) from the wall

IMPORTANT:

Dimensions of fixtures are nominal and may vary within the range of tolerance established by ANSI Standard A112.19.2.

These measurements are subject to change or cancellation. No responsibility is assumed for use of superseded or voided pages.

PART OF **LIXIL**