



Sink - IMO

Wall-mounted single-lever mixer without drain - polished chrome

Article number: 36 860 670-00 0010



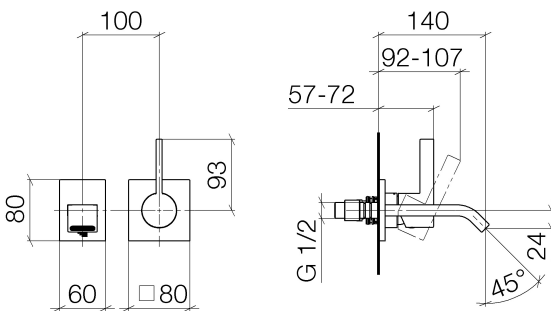
- 5-1/2" Projection
- Rigid spout
- Rectangular aerated stream
- Spout hole diameter 1-1/2"
- Hole diameter single-lever mixer 2-1/4"
- 3-1/8" x 2-3/8" flange for spout
- Flange for mixer 3-1/8" x 3-1/8"
- Water flow rate limited to max. 1.2 gpm
- lead-free
- (ADA)



polished chrome

Accessory is required for this item.

Dimensional drawing





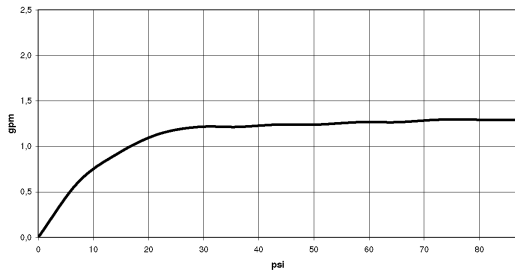
Sink - IMO

Wall-mounted single-lever mixer without drain - polished chrome

Article number: 36 860 670-00 0010

All dimensions in mm / inch = mm x 0,0394

Flow rate chart





Sink - IMO

Wall-mounted single-lever mixer without drain - polished chrome

Article number: 36 860 670-00 0010

Other surface finishes



platinum matte

36 860 670-06 0010

More custom finish options are available via special production (xTra Service). Please see our finish matrix for availability and pricing or contact a Dornbracht representative.

Required article



35 860 970-90 0010

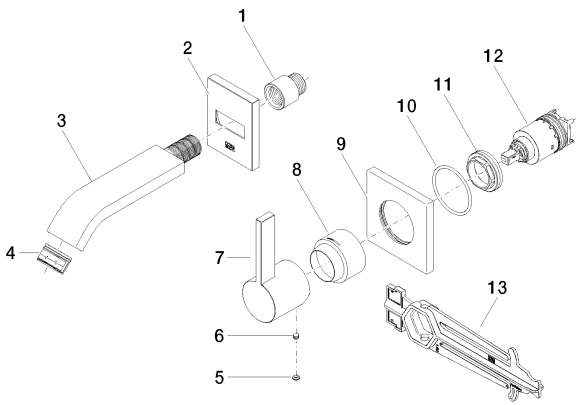
Rough for wall-mounted
faucet mixer on right -

Sink - IMO

Wall-mounted single-lever mixer without drain - polished chrome

Article number: 36 860 670-00 0010

Spare parts list



Number	Item Number	Designation	Number of units
1	09 24 03 072 10 90	nipple	1
2	90 27 67 005 00-00	rosette	1
3	04 28 22 242 00-00	spout	1
4	90 29 03 118 00 90	aerator	1
5	90 31 20 087 00-00	plug	1
6	04 31 11 112 00 90	pin	1
7	09 20 67 004-00	handle	1
8	09 11 02 530-00	cover	1
9	09 27 78 039-00	rosette	1
10	09 14 10 049 90	seal	1
11	09 24 04 105 90	nut	1
12	90 15 05 064 01 90	cartridge	1
13	09 30 09 064 90	key	1