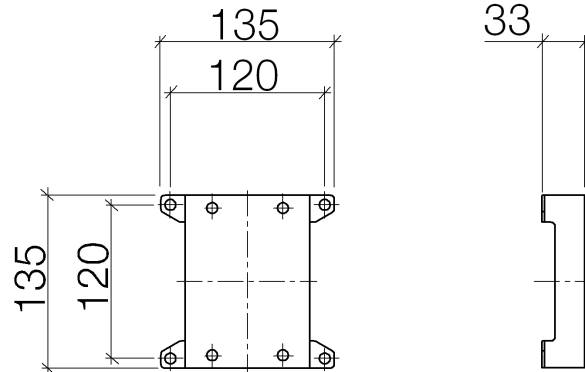




**Product specifications**

- Width 5-3/8"
- Height 5-3/8"
- Depth 1-1/4"

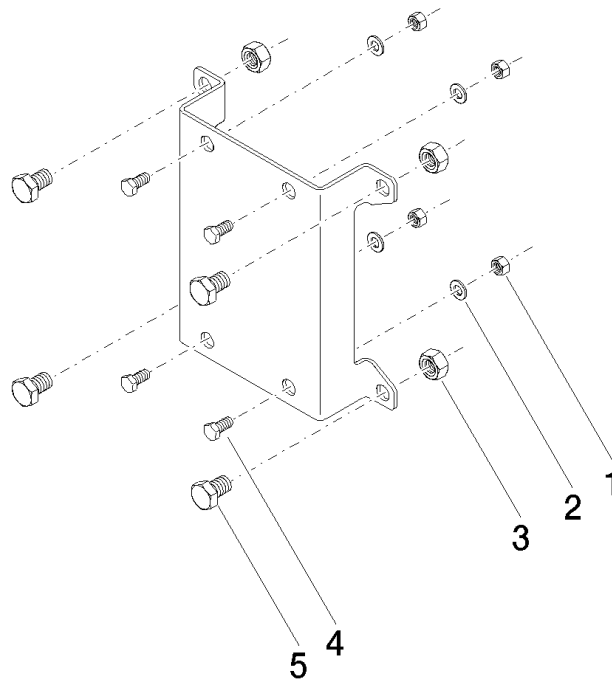
**Adapter plate for mounting concealed rough parts 35 205 970 90 on the xGRID installation track.**



**Surfaces**

- 1230597090

**Exploded assembly drawing**





**Order quantity**

<b>No.</b>	<b>Article number</b>	<b>Name</b>	<b>Installation quantity</b>
<b>1</b>	09231003790	nut	4
<b>2</b>	09301104890	disc	4
<b>3</b>	09231002390	nut	4
<b>4</b>	09303009190	screw	4
<b>5</b>	09303015290	screw	4