

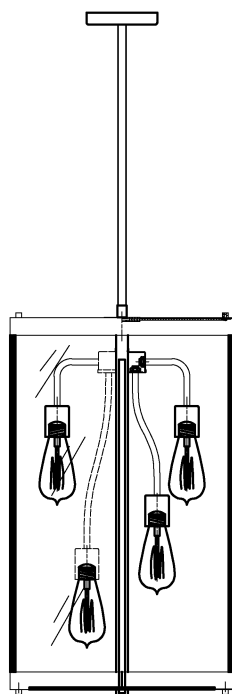
Trade Mark:  
CRYSTAL WORLD INC

Product Name: Pendant lamp

Model :9855P15-5-133

120Vac, 60Hz,AC ONLY

Lamp Size:D15"\*H25"

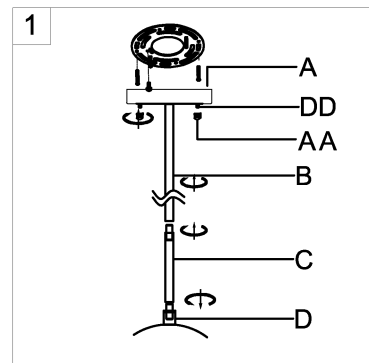



## PENDANT LAMP ASSEMBLY INSTRUCTIONS

1.Place fixture(A)onto mounting screws (DD).secure with cap nuts (AA). Please fix (A) with (B).(B) with (C), (C) with (D).

### Hardware Used

AA Cap nut		X 2
DD Mounting screw		X 2



2.Install bulbs ( NOT INCLUDED).  
USE  
**120V E26  5\*60W Max.**

3.Place fixture glass(B) with (A).

### Hardware Used

Cap nut		X 1
Glass		X 1

