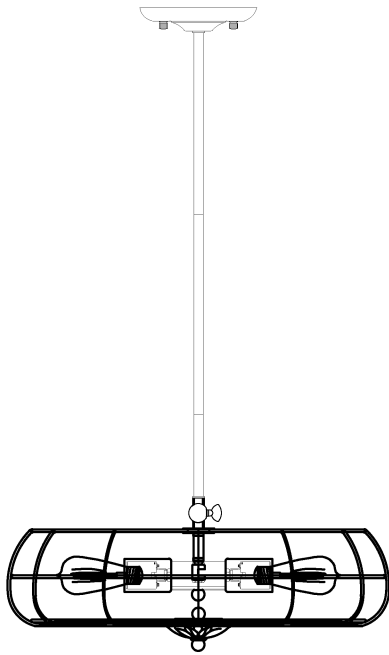


Trade Mark:
CRYSTAL WORLD INC



Product Name: Pendant lamp
Model :9606P18-5-101
120Vac, 60Hz,AC ONLY
Lamp Size:D18"*H10"~H69"

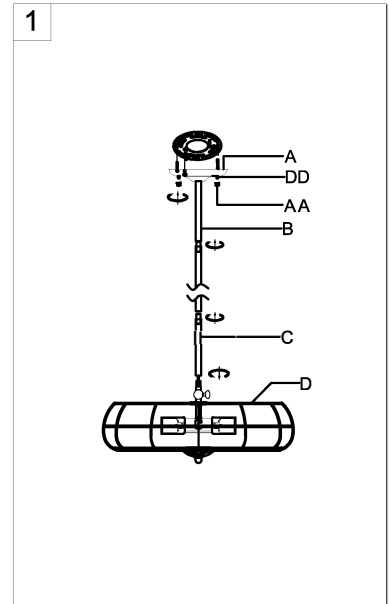



PENDANT LAMP ASSEMBLY INSTRUCTIONS

- 1.Place fixture(A)onto mounting screws (EE).Secure with cap nuts (AA).

Hardware Used

- DD Mounting screw 
AA Cap nut 



- 2.Install bulbs (NOT INCLUDED).
USE
120V E26  5*40W Max.

