












Assembly Instruction Sheet #IS-5571P14C For Style 5571P14C

Tools Required: Flathead screwdriver, Phillips screwdriver, pliers, wire cutters, wire strippers, electrical tape, safety glasses.
Light Source: (5) E26 Base Mini GMI Halogens.
Estimated Assembly Time: 30-40 minutes.
Preparation: Identify and inspect all parts before beginning installation. Check package content list and diagrams below to be sure all parts are present. If any parts are missing or damaged, do not attempt to assemble, install, or operate the fixture. Contact customer service for replacement parts.

⚠ Warnings and Cautions
 Turn off electricity at circuit breaker or main fuse box before installation. Consult a licensed electrician if in doubt. These instructions are provided for your safety. It is very important you read them completely before installing the fixture. We strongly recommend that a licensed, professional electrician perform the installation. Disconnect fixture from power source before replacing bulbs. Make sure bulbs are given sufficient time to cool before removal.

Package Contents	
	A Fixture Body x1
	B Connection x4
	C Ceiling Canopy x1
	D Middle rod x1
	E Parts x1
	F Glass x4
	G Glass x1

Hardware Contents	
	Wire nut
	Quick start screw
	Screw
	Screw

STEP 1 - Release Mounting bracket from Ceiling Canopy.

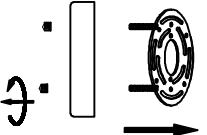


Figure 1

STEP 2 - Install Middle rod/Ceiling Canopy to Fixture Body.

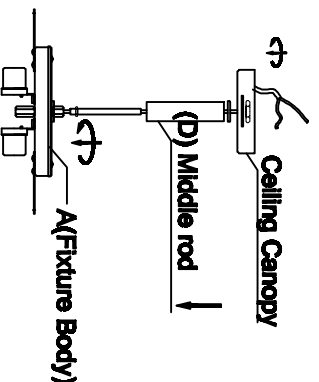


Figure 2

STEP 3 - Attach Mounting bracket to Outlet Box

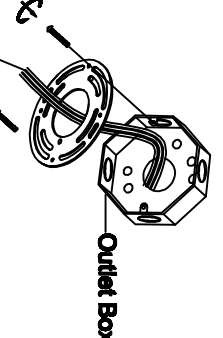


Figure 3

STEP 4 - Wire Connections

A. Use standard wire connectors to make all wire connections. Twist connectors until wires are tightly joined together. Wrap each connection with approved electrical tape and carefully stuff all the connected wires into the Outlet Box.



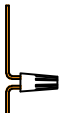

White wire from outlet box		White wire from fixture
Black wire from outlet box (or Red)		Black wire from fixture
Bare, or Green Ground wire from outlet box		Ground wire from fixture
Bare, or Green Ground wire from outlet box		Ground wire from fixture

Figure 4

STEP 5 - Install Ceiling Canopy to Ceiling

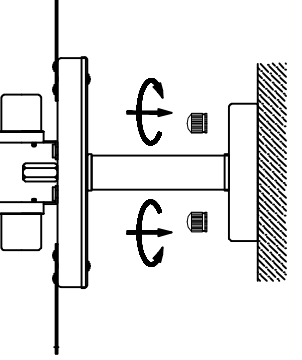


Figure 5

STEP 6 - Install Connection to Fixture Body

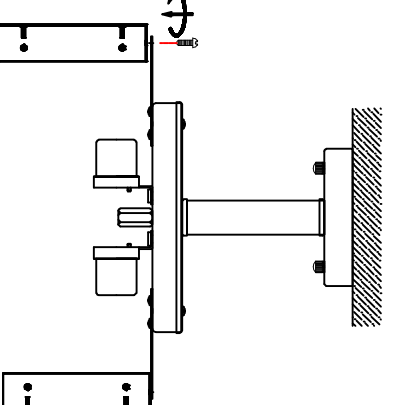


Figure 6

STEP 7 - Install (F)Glass to Fixture Body.

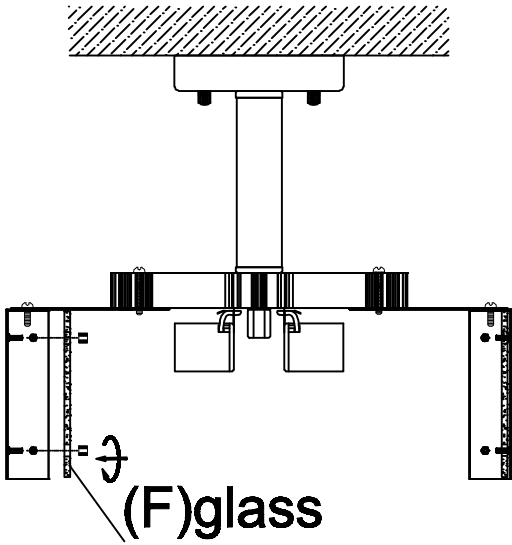


Figure 7

STEP 9 - Install Parts to Fixture Body.

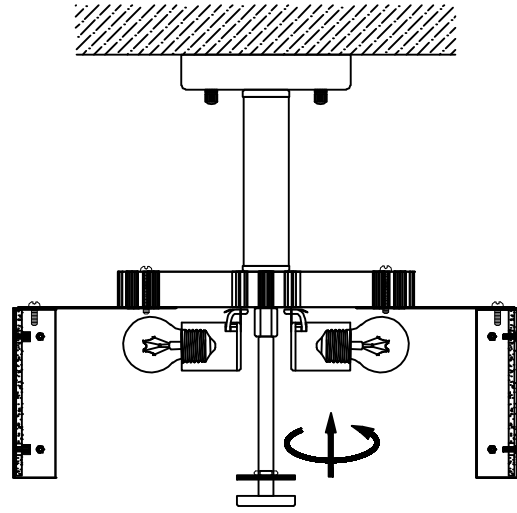


Figure 9

STEP 8 - Install Bulb.

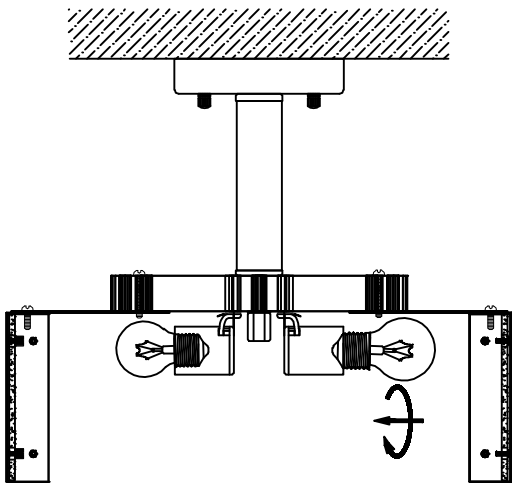


Figure 8

STEP 10 - Install (G)Glass to Fixture Body.

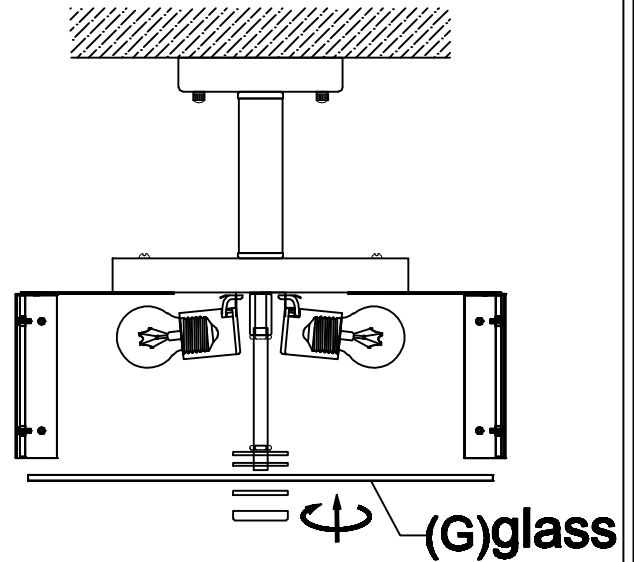


Figure 10