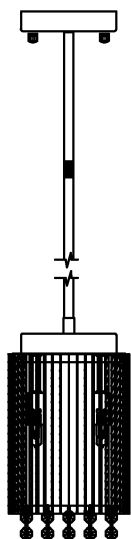


Trade Mark:  
CRYSTAL WORLD INC

Product Name: Pendant lamp  
Model :5535P6C-R  
120Vac, 60Hz,AC ONLY  
Lamp Size:D6"\*H11"~H68"



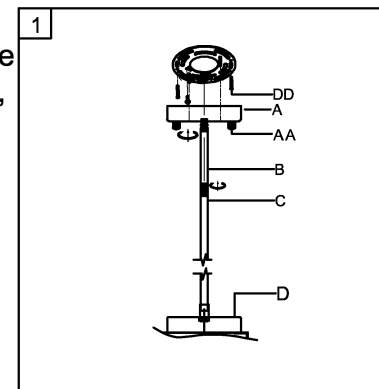
## PENDANT LAMP ASSEMBLY INSTRUCTIONS

1.Place fixture(A)onto mounting screws (DD).secure with cap nuts (AA) . Please fix (A) with (B).(B) with (C),(C) with (D),

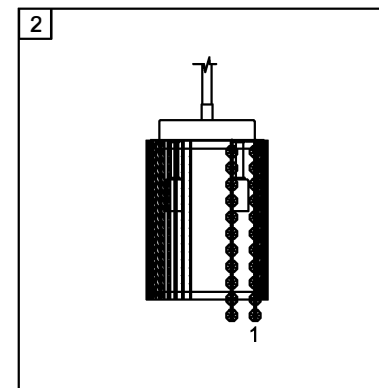
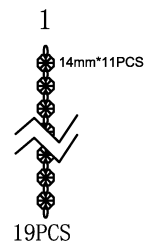
### Hardware Used


AA Cap nut  X 2

DD Mounting screw  X 2



2.Please hang the crystal(1) to the fixture .



3.Install light bulbs ( not included).  
Use bulb  
**120V G9**  **2\*40W Max.**

