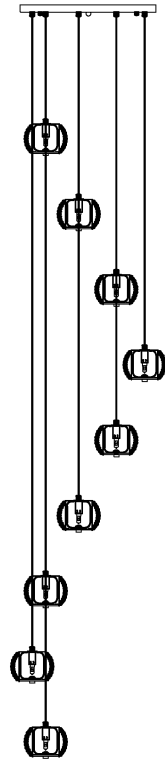


Trade Mark:  
CRYSTAL WORLD INC



Product Name: Ceiling lamp  
Model :5476P20C-9  
120Vac, 60Hz,AC ONLY  
Lamp size:D20"\*H98"

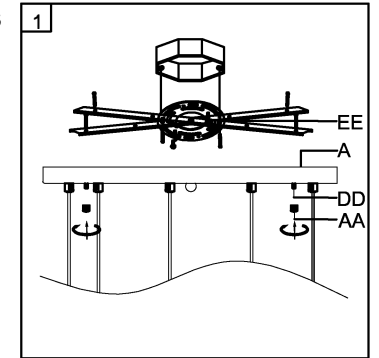


## CEILING LAMP ASSEMBLY INSTRUCTIONS


1. Place fixture(A) onto mounting screws (DD).secure with cap nuts (AA).

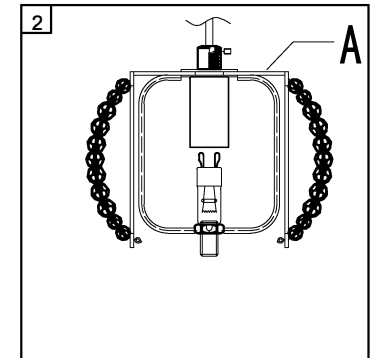
### Hardware Used

AA Cap nut		X 4
DD Mounting screw		X 4



2. Install light bulbs ( not included).

Use bulb  
**120V GU9**  **9\*40W Max.**



3. Screw part glass(B) onto the lamp-body(A) secure with screw.

