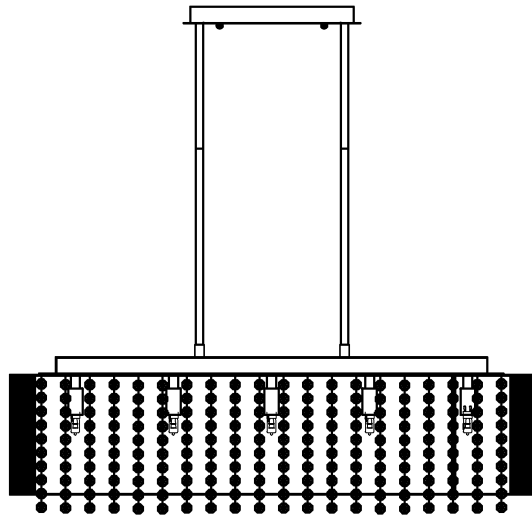


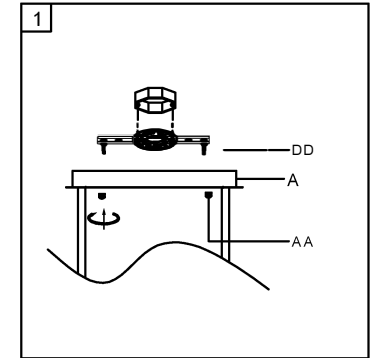
Trade Mark:
CRYSTAL WORLD INC

Product Name: Pendant lamp
Model :5319P32C-RC
120Vac, 60Hz,AC ONLY
Lamp Size:L32"*W12"*H10"-H48"



PENDANT LAMP ASSEMBLY INSTRUCTIONS

1. Place fixture(A) onto mounting screws (DD).secure with cap nuts (AA).



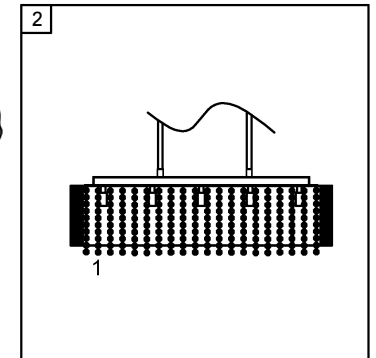
Hardware Used


AA Cap nut  X 2
DD Mounting screw  X 2

2. Please hang the crystal(1) to the fixture .



1
14mm*10PCS
140PCS



3. Install light bulbs (not included).
Use bulb
120V G9  10*40W Max.

