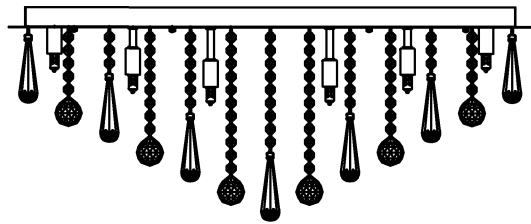


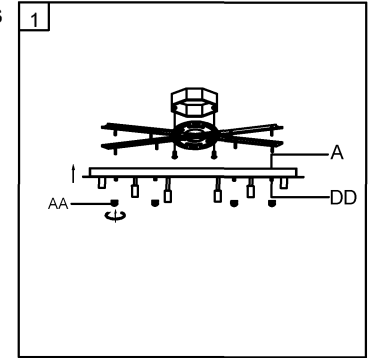
Trade Mark:
CRYSTAL WORLD INC

Product Name: Ceiling lamp
Model :5035C32C-R
120Vac, 60Hz,AC ONLY
Lamp size:Ø32"XH13"



CEILING LAMP ASSEMBLY INSTRUCTIONS

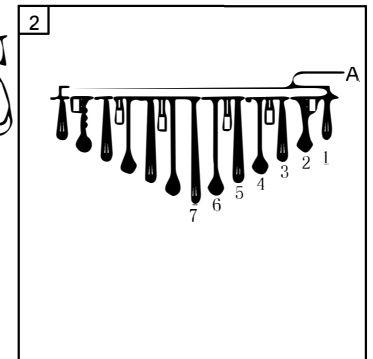
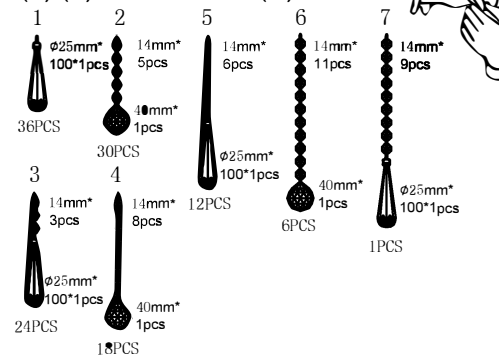
1. Place fixture(A) onto mounting screws (DD).secure with cap nuts (AA).




Hardware Used

AA Cap nut  X 8
DD Mounting screw  X 8

2. Please put the crystal(1) (2) (3) (4) (5) (6) (7) to the fixture (A).



3. Install light bulbs (not included).
Use bulb
120V G9  16*40W Max.

