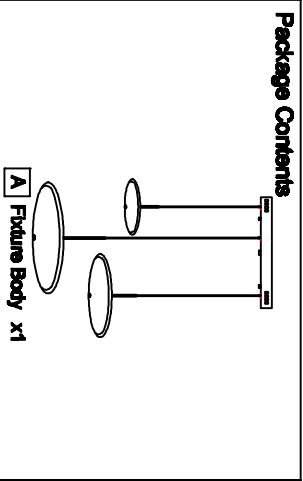


Assembly Instruction Sheet #IS-1204P22 For Style 1204P22

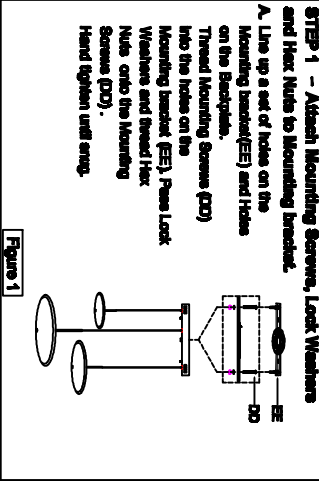
Tools Required: Flathead screwdriver, Phillips screwdriver, pliers, wire cutters, wire strippers, electrical tape, safety glasses.
Light Source: (3) 120V LED 1-W DIMMABLE (8000K)
Estimated Assembly Time: 15-30 minutes
Preparation: Identify and inspect all parts before beginning installation. Check package content list and diagrams before to be sure all parts are present. If any parts are missing or damaged, do not attempt to assemble, install, or operate the fixture. Contact customer service for replacement parts.

Warnings and Cautions
 Turn off electricity at circuit breaker or main fuse box before installation. Consult a licensed electrician if in doubt. These instructions are provided for your safety. It is very important you read them completely before installing the fixture. We strongly recommend that a licensed, professional electrician perform the installation. Disconnect fixture from power source before replacing bulbs. Make sure bulbs are given sufficient time to cool before removal.

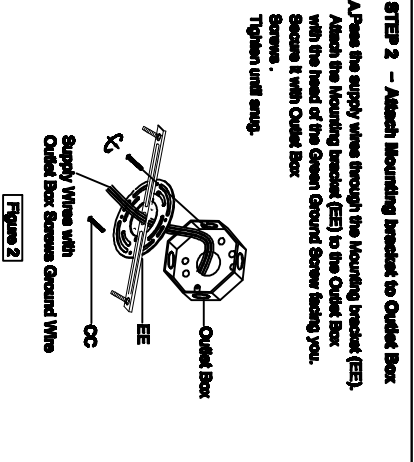


Hardware Contents

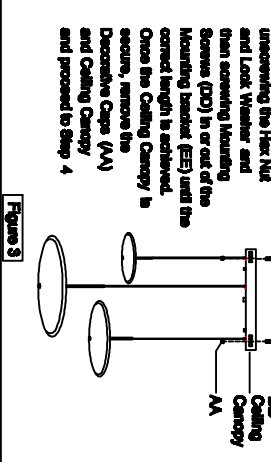
PART	DESCRIPTION	QUANTITY
AA	Decorative Cap	2pcs
BB	Mounting Bracket	2pcs
CC	Outlet Box Screw	2pcs
DD	Mounting Screw	2pcs
EE	Lock Washer	2pcs



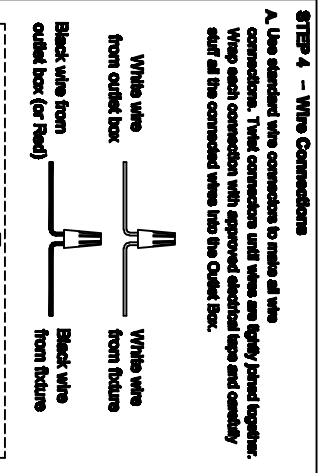
STEP 1 - Attach Mounting Screws, Lock Washers and Hex Nuts to Mounting Bracket.
 A. Line up a set of holes on the Mounting bracket(EE) and Holes on the Backplate.
 Thread Mounting Screws (DD) into the holes on the Mounting bracket (EE). Push Lock Nuts onto the Mounting Screws (DD). Hand tighten until snug.



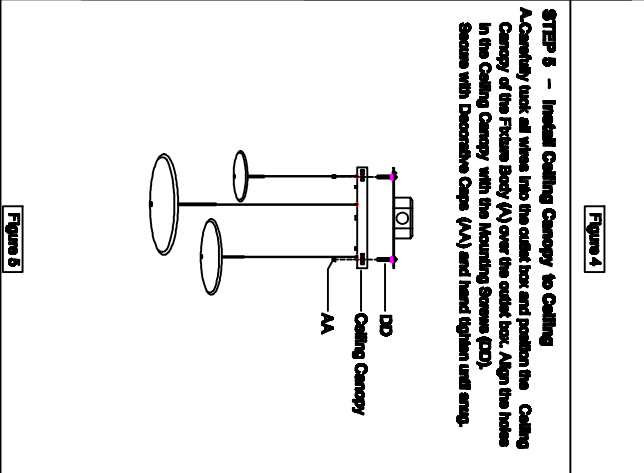
STEP 2 - Attach Mounting Bracket to Outlet Box
 A. Push the supply wires through the Mounting bracket (BB). Attach the Mounting bracket (BB) to the Outlet Box with the head of the Green Ground Screw facing you. Secure it with Outlet Box Screws (CC).
 Tighten until snug.



STEP 3 - Fit Backplate to Mounting Bracket Assembly
 A. Fit the backplate to Mounting Screws (DD) and secure with Decorative Caps (AA). Note: The backplate should be snug against the ceiling and the Decorative Caps (AA). If not, adjust the length of the Mounting Screws (DD) by unscrewing the Hex Nut and Lock Washer and then screwing Mounting Screws (DD) in or out of the Mounting bracket (EE) until the correct length is achieved. Once the Ceiling Canopy is secure, remove the Decorative Caps (AA) and Ceiling Canopy and proceed to step 4



STEP 4 - Wire Connections
 A. Use standard wire connectors to make all wire connections. Twist connections until wires are tightly joined together. Wrap each connection with approved electrical tape and carefully stuff all the connected wires into the outlet box.
 White wire from outlet box to white wire from fixture
 Black wire from outlet box (or Red) to black wire from fixture
 Green, or Ground wire from outlet box to Green Ground Screw on the Crossbar



STEP 5 - Install Ceiling Canopy to Ceiling
 A. Carefully tuck all wires into the outlet box and position the ceiling canopy of the Fixture Body (A) over the outlet box. Align the holes in the ceiling canopy with the Mounting Screws (DD). Secure with Decorative Caps (AA) and hand tighten until snug.

