

Assembly Instruction Sheet #0418W7L-3

For Style 0418W7L-3

Tools Required: Flathead screwdriver, Phillips screwdriver, pliers, wire cutters, wire strippers, electrical tape, safety glasses.

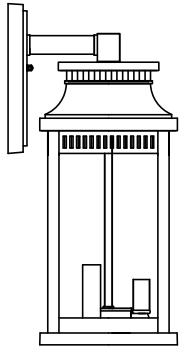
Light Source: (1) E12 Base Bulb 60W Maximum(Not Include).

Preparation: Identify and inspect all parts before beginning installation. Check package content list and diagrams below to be sure all parts are present. If any parts are missing or damaged, do not attempt to assemble, install, or operate the fixture. Contact customer service for replacement parts.

⚠ Warnings and Cautions

Turn off electricity at circuit breaker or main fuse box before installation. Consult a licensed electrician if in doubt. These instructions are provided for your safety. It is very important you read them completely before installing the fixture. We strongly recommend that a licensed, professional electrician perform the installation. Disconnect fixture from power source before replacing bulbs. Make sure bulbs are given sufficient time to cool before removal.

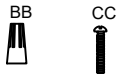
Package Contents



A Fixture Body x1

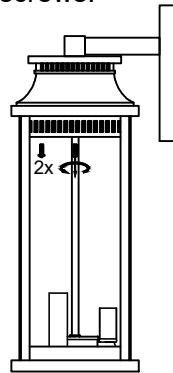
Hardware Contents

PART	DESCRIPTION	QUANTITY
BB	Wire nut	2pcs
CC	Outlet Box Screw	2pcs



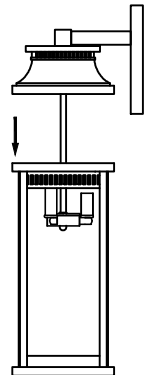
STEP 1

A.loosen the screws.



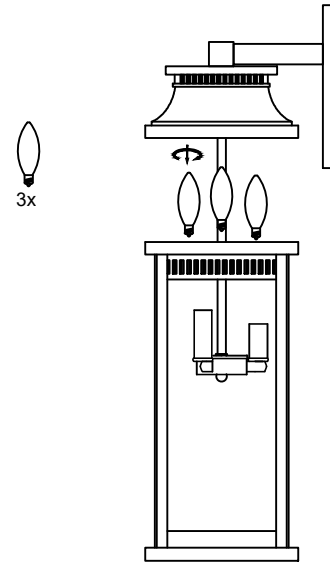
STEP 2

A.Remove the styrofoam from the Fixture Body.



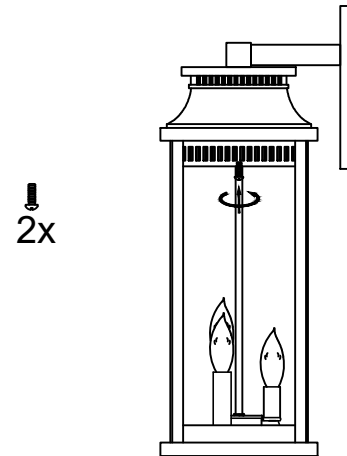
STEP 3

A.Install bulbs into sockets and screw snug into place.



STEP 4

A.Lock the screws.



STEP 5

