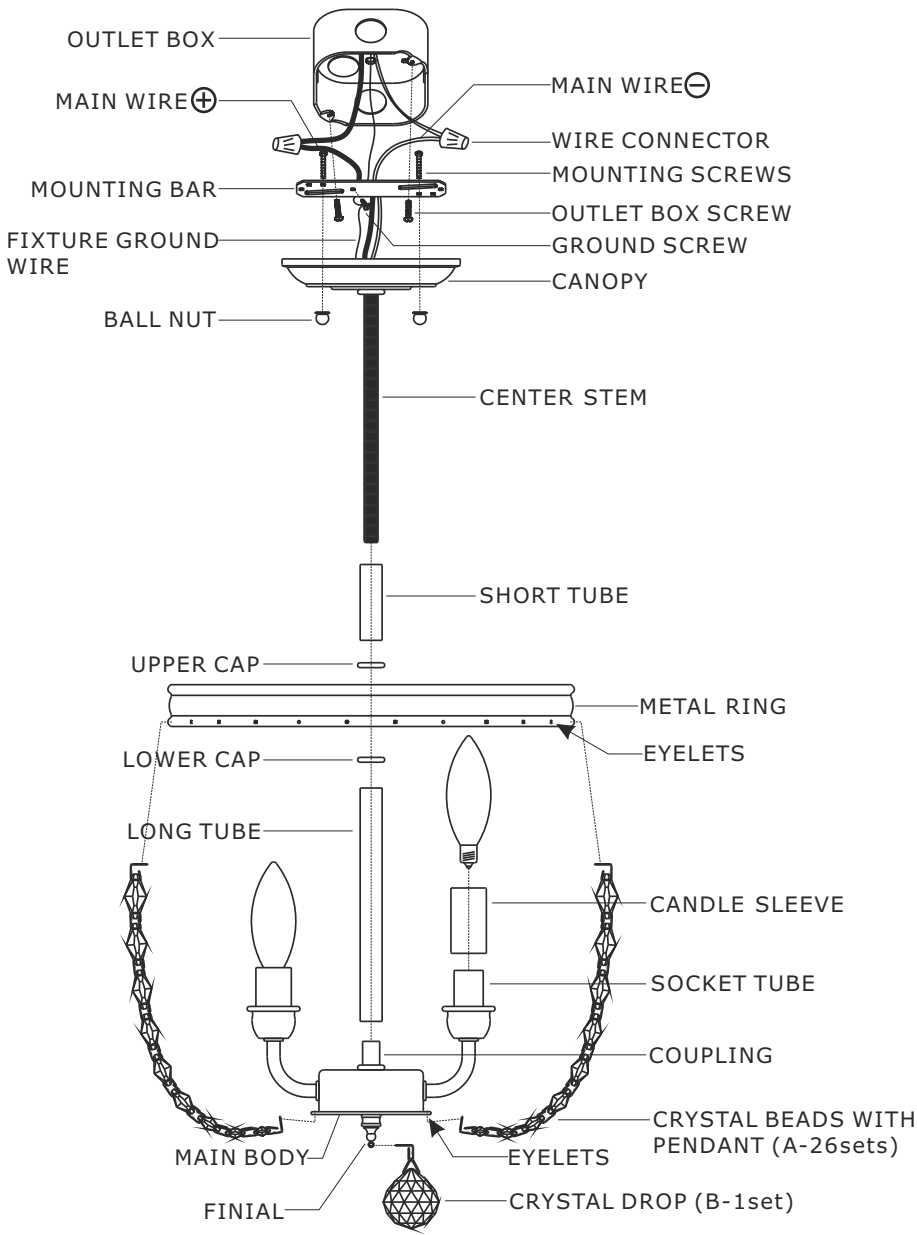


# CRYSTORAMA

LIGHTING THE WAY FOR SIXTY YEARS

ASSEMBLY INSTRUCTION MODEL#783-BF



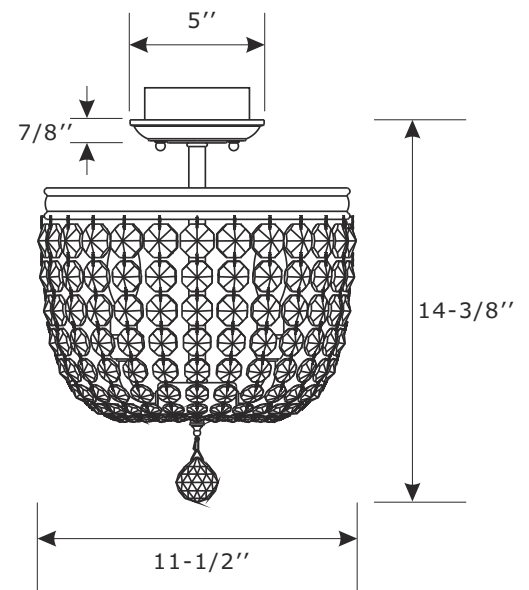
All electrical components must be installed by a licensed electrician in accordance with the National Electric Code and the appropriate local electrical codes.



You will need 3- Candelabra Base Bulb  
40 Watts Recommended 60 Watts Max.  
USE LED BULBS FOR EXTENDED USE

## How to install

1. Slip center stem assembly, along with the wire through the short tube, upper cap, metal ring, lower cap and long tube.
2. Thread center stem into coupling and tighten.
3. Slip candle sleeve over socket tube.
4. Install the bulb into socket.
5. Hook the crystal beads with pendant to the eyelets of metal ring and main body.
6. Adjust and straighten the crystals beads accordingly after hanging.



A= (32mm+30mm+28mm+26mm+24mm+22mm+18mm+14mm+12mm)x26sets

B= 40mmx1set

**WARNING:** This product can expose you to Lead which is known to the state of California to cause cancer and/or birth defects or reproductive harm. For more information go to [www.P65Warnings.ca.gov](http://www.P65Warnings.ca.gov)

# CRYSTORAMA

LIGHTING THE WAY FOR SIXTY YEARS

PART NUMBER MODEL#783-BF

## Part Number

### Part Numbers

- A. (1)-Mounting hardware
- B. (1)-Canopy W5"xH7/8" #XRF783BFCAN5IN
- C. (2)-Ball nut #XRF783BFBANUT
- D. (1)-Center stem
- E. (1)-Short tube W5/8"xH2-1/8"
- F. (2)-Cap
- G. (1)-Metal ring W11-1/2"x1-1/8"
- H. (1)-Long tube W5/8"xH6-5/8"
- I. (3)-Bulb (Not included)
- J. (3)-Candle sleeve W1"xH1-7/8" #XRF783BFCDL1.875IN
- K. (3)-Socket tube W13/16"xH1-7/8"
- L. (1)-Coupling
- M. (1)-Main body
- N. (1)-Finial #XRF783BFFIN

