

CRYST RAMA



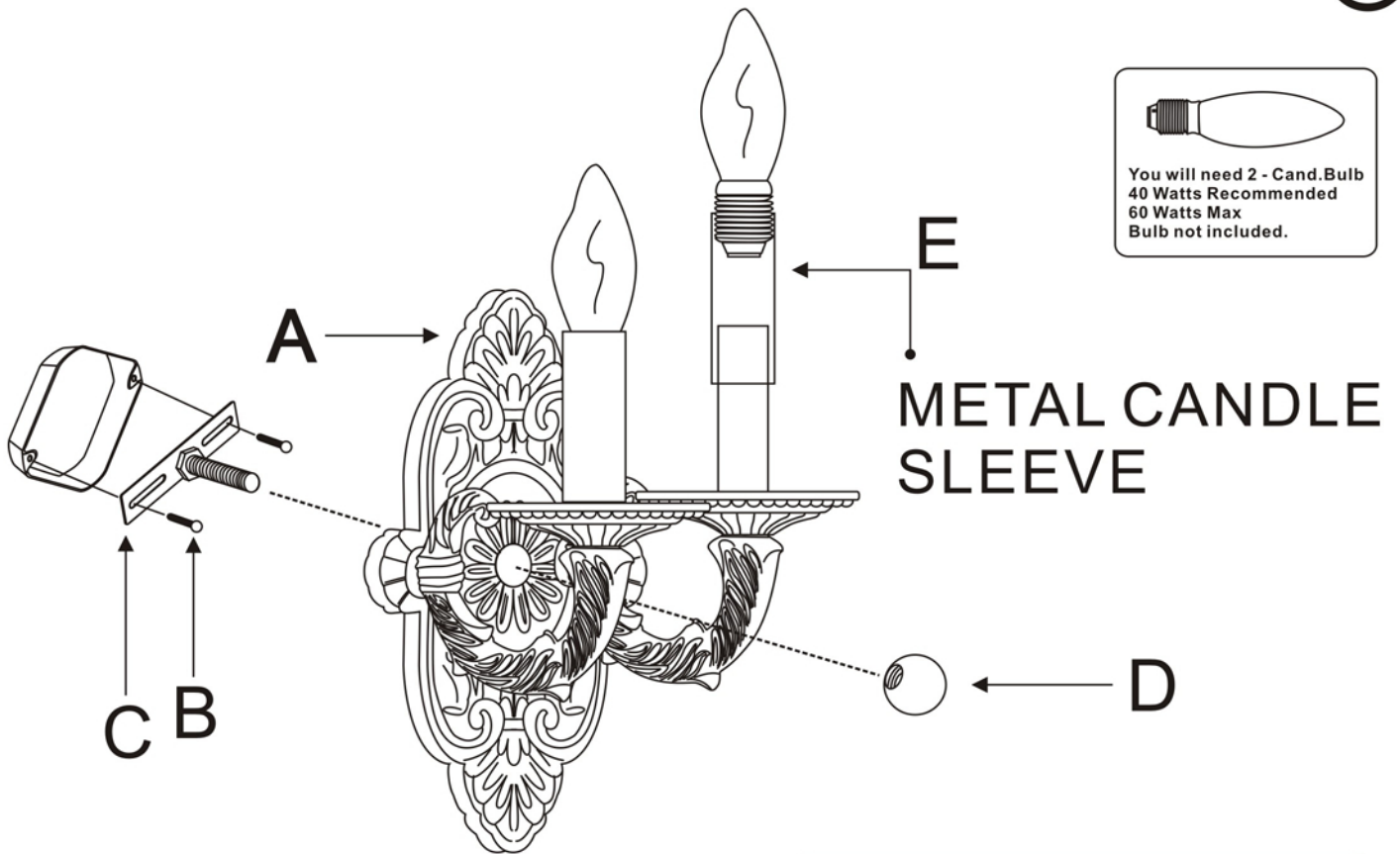
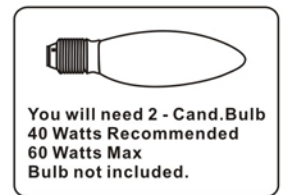
1958

95 Cantiague Rock Road, Westbury NY 11590
ph:516.931.9090 fax: 516. 931.1254
info@crystorama.com www.crystorama.com

MODEL#:5122 ASSEMBLY AND DRESSING INSTRUCTIONS



All electrical components must be installed by a licensed electrician in accordance with the National Electric Code and the appropriate local electrical codes.



ASSEMBLY STEPS:

- 1) **B** → **C**
- 2) **B.C.D** → **A**
- 3) **E** → **A**

