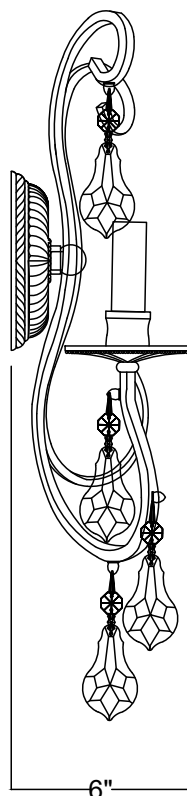
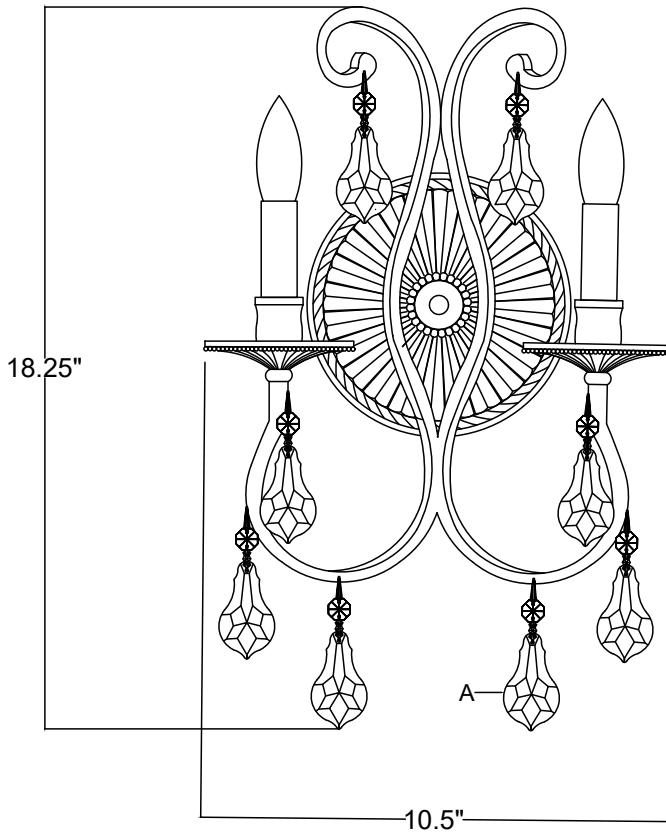


CRYSTORAMA



LIGHTING THE WAY FOR SIXTY YEARS

ASSEMBLY INSTRUCTION MODEL #5012OSCLMWP



WARNING:

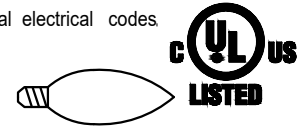


Electrical Danger



Turn Power Off

All electrical components must be installed by a licensed electrician in accordance with the National Electric Code and the appropriate local electrical codes.



You will need 2- Candleabra Base Bulb
40 Watts recommended 60 Watts Max.

USE LED BULBS FOR EXTENDED USE

The fixture is Dry rated

HOW TO INSTALL:

Place the fixture parts on a soft cloth-covered platform before installation of fixture.

1. Install the mounting plate onto the outlet box and secure with the mounting screws.
2. Place the backplate over the mounting plate and secure with the thread and finial.
3. Place the candle sleeve and bobèche over the socket.
4. Dress the crystals as illustrated.

Crystal Sets

A. 8 Sets. (1)14mm + (1)63mm

⚠ WARNING: This product can expose you to Lead, which is known to the State of California to cause cancer and/or birth defects or reproductive harm. For more information go to www.p65warnings.ca.gov

CRYSTORAMA

LIGHTING THE WAY FOR SIXTY YEARS



ASSEMBLY INSTRUCTION MODEL #5012OSCLMWP

Part Number

Part Numbers

- A. (2)-Wire Connector
- B. (1)-Mounting Plate
- C. (2)-Mounting Screw
- D. (1)-Thread
- E. (1)-Nut
- F. (1)-Backplate ; W5 3/4",H1 1/4"-
XSN5011OSBKP5.75IN
- G. (1)-Arm kit
- H. (1)-Finial
- I. (2)-Metal candle sleeve ; H2.17"-XSN5011OSMCDL2IN
- J. (2)-White plastic candle sleeve
-XSN5011OSPCDL2IN
- K. (2)-Holder
- L. (2)-Bobeche ; Ø3 1/8"-XSN5011OSBOB3IN
- M. (8)-Eyelet-XSU5011OSEYE

