

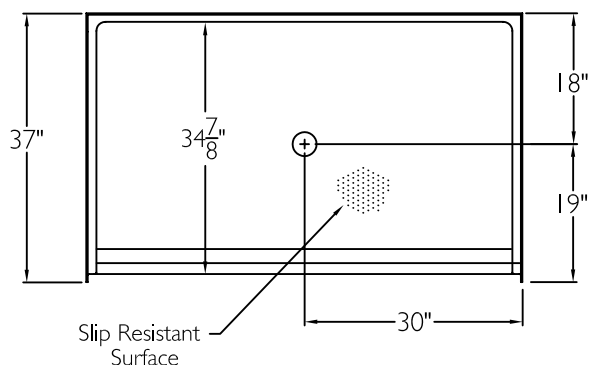
CD Technical Data Sheet
BASES COLLECTION
XSB6036BF COL C

BASES COLLECTION
 Enhancing Livable Design

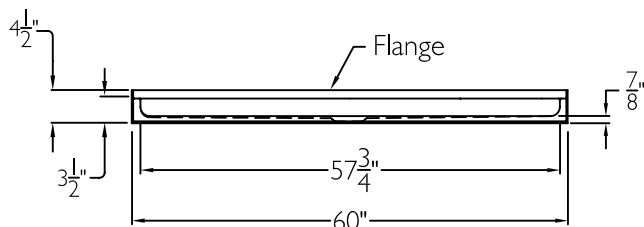
TECHNICAL INFORMATION

OD 60" x 37" x 4.5"
 THRESHOLD 0.875"
 LOAD FACTOR 0.22
 HANDED BY Center Drain

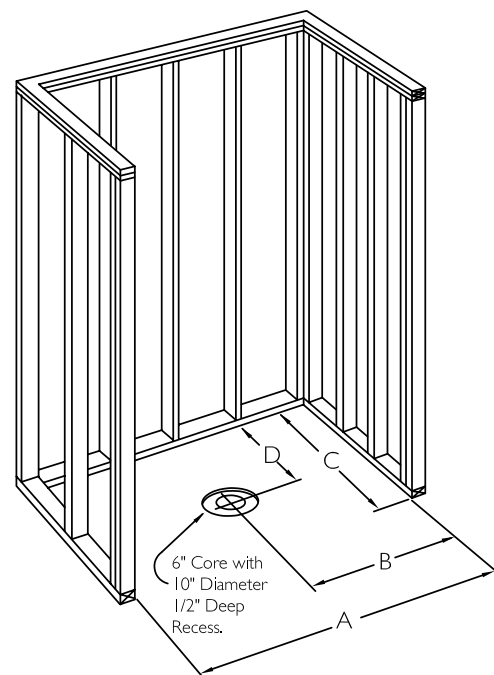
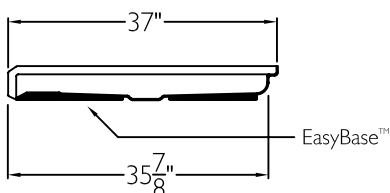
TOP VIEW



FRONT VIEW



SIDE VIEW



FRAMING DIMENSIONS

A 60.25" B 30.125"
 C 37" D 18"

ADDITIONAL CODES

ICC/ANSI I 7.1, BOCA, NAHBUPC,
 Southern Building Code

