

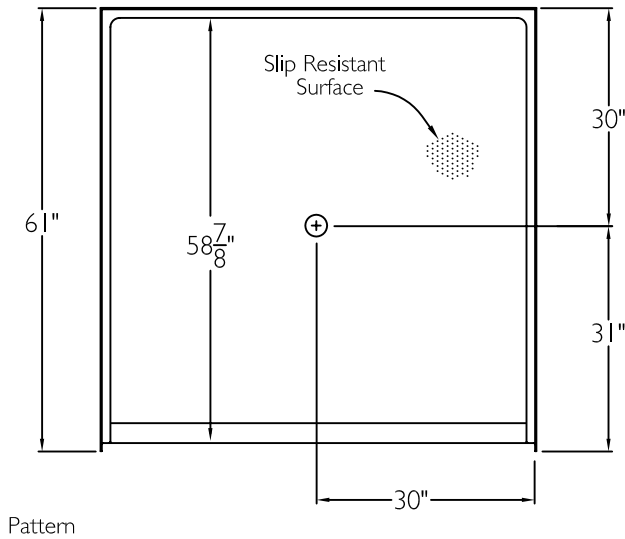
CD Technical Data Sheet
BASES COLLECTION
SSB6060BF COL C

BASES COLLECTION
 Enhancing Livable Design

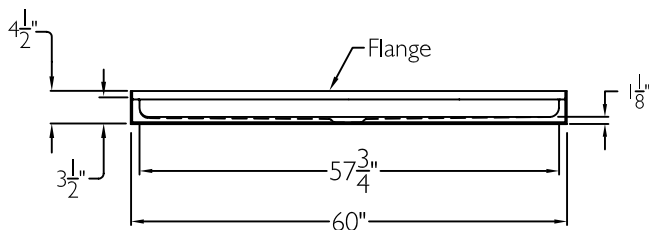
TECHNICAL INFORMATION

OD 60" x 61" x 4.5"
 THRESHOLD 1.125"
 LOAD FACTOR 0.44
 HANDED BY Center Drain

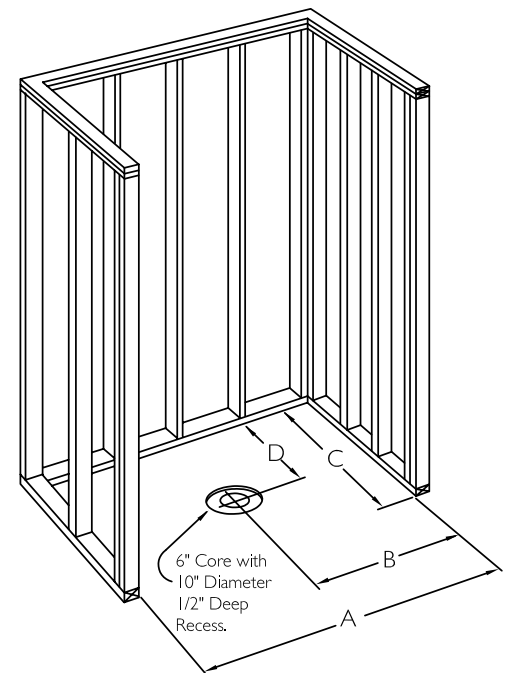
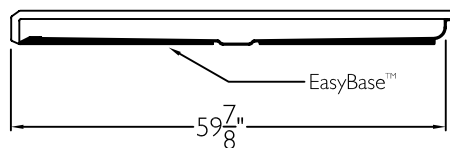
TOP VIEW



FRONT VIEW



SIDE VIEW



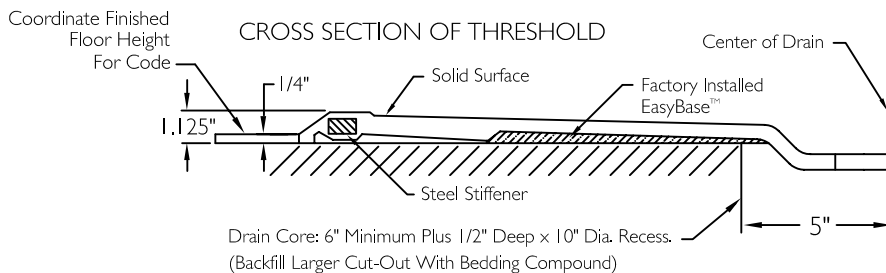
FRAMING DIMENSIONS

A 60.25" B 30.125"
 C 61" D 30"

ADDITIONAL CODES

ICC/ANSI I 7.1, BOCA, NAHBUPC,
 Southern Building Code

CROSS SECTION OF THRESHOLD



cd
 comfortdesigns