

CD Product Sheet

COMMERCIAL CODE COMPLIANT

SST6337BF U-BAR

ADA/ANSI code compliant

NOTE: For ADA/ANSI compliance, pressure balancing mixing valve, hand-held shower with slide bar, vacuum breaker and 60' hose must be installed per ADA/ANSI guidelines.

CODE COMPLIANT
Enhancing Livable Design

TECHNICAL INFORMATION

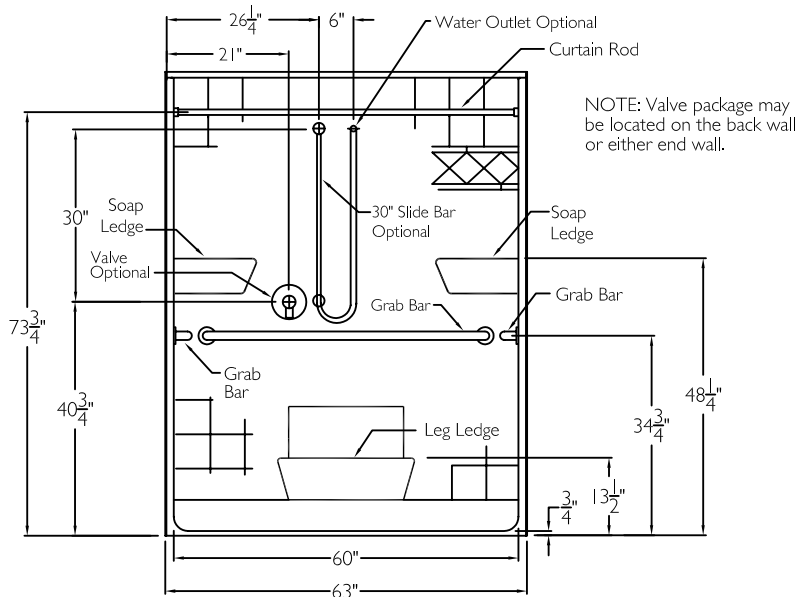
OD 63" x 38.5" x 80.75"

ID 60" x 36.5" center point

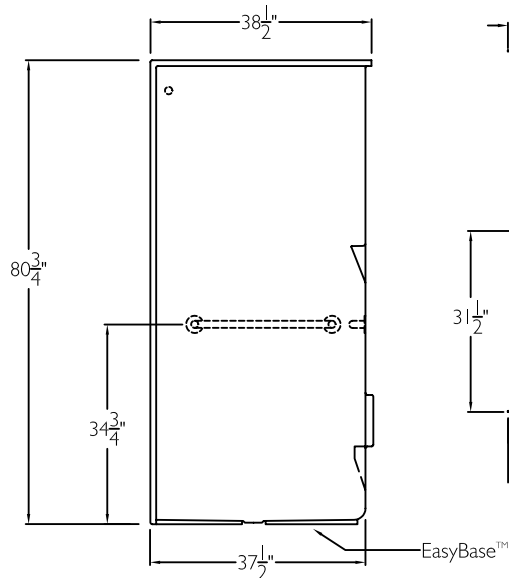
LOAD FACTOR 2.0

HANDED BY Seat

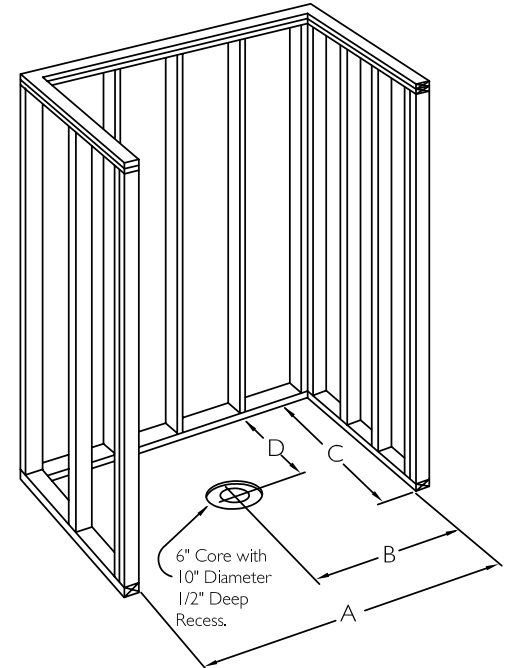
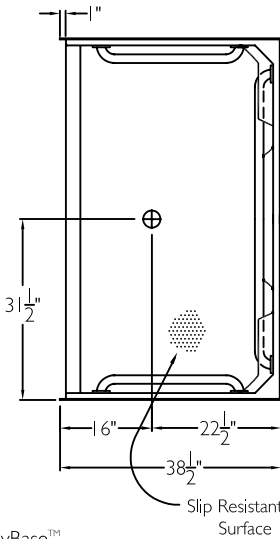
FRONT VIEW



SIDE VIEW



TOP VIEW

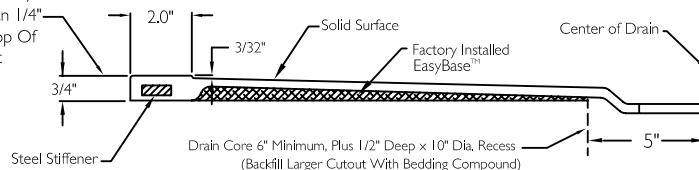


FRAMING DIMENSIONS

A 63.25" B 31.625"
C 38.5" D 20.5"

CROSS SECTION OF THRESHOLD

Coordinate Finished Floor Height For Code. Finished Floor May Be No More Than 1/4" Below The Top Of Compartment Threshold.



ADDITIONAL CODES

ICC/ANSI I 7.1, ANSI I 24.2, ADAAG, BOCA, NAHBUPC, Southern Building Code

