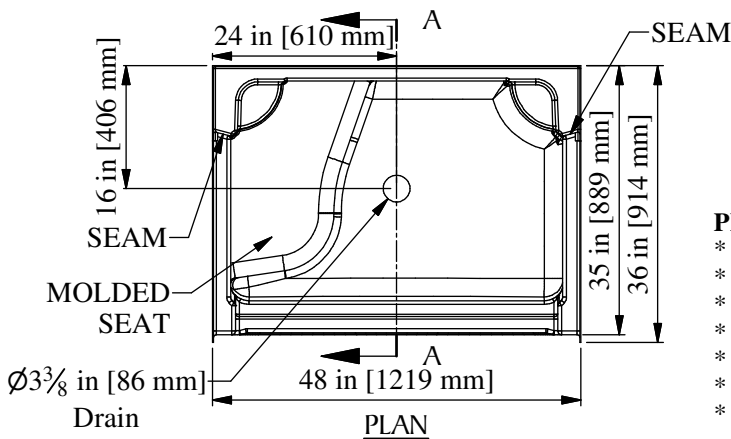
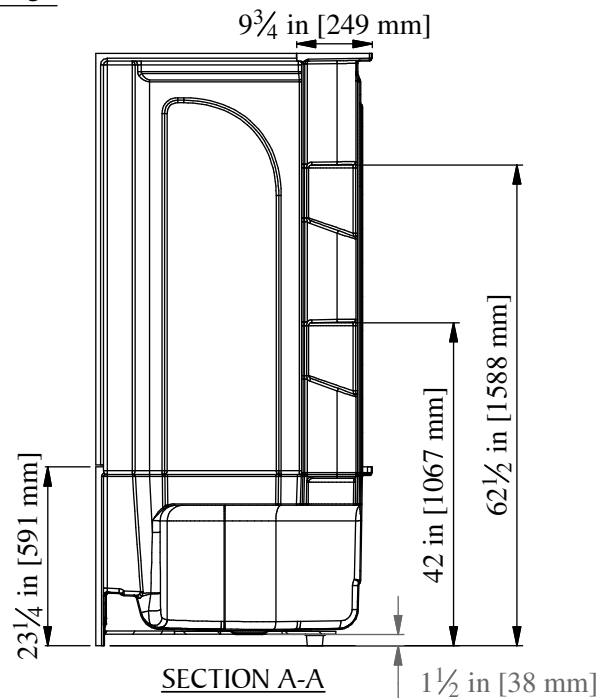
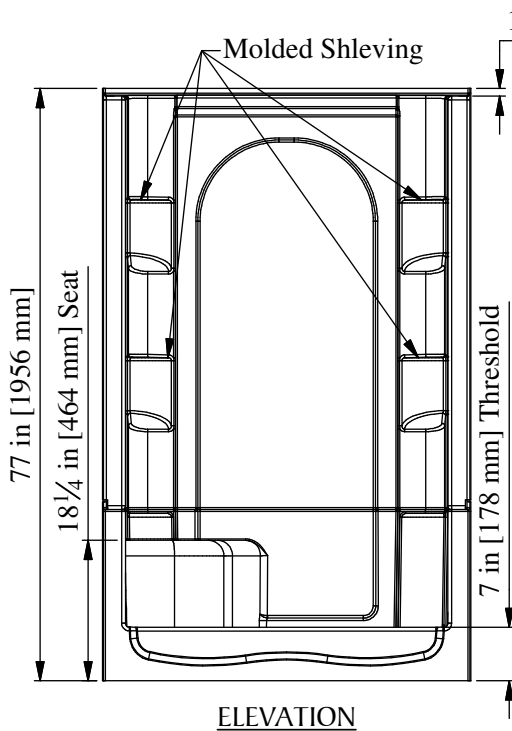


Quantum Series



48" [1219mm] 4-Piece Shower
w/ 7" [178mm] Threshold, Molded Seat & Shelving

CENTER DRAIN

Right Hand Version (4MS30R/S) Shown

PRODUCT SPECIFICATIONS:

- * Product complies with NAHB, HUD UM-73A, and ANSI-Z124.1.2.
- * Special installation instructions for this unit must be followed carefully.
- * Reinforced & slip resistant floor.
- * Molded seat approx. 13 1/2"W x 23"D x 16"H (opposite of valve wall).
- * Molded shelving on back wall.
- * Integral 1" [25mm] nailing flange.
- * Door Opening: W-41-3/4" [1060mm]
H-68" [1727mm]
- * All dimensions +/- 1/2" [12.8mm]
- * Clarion Bathware reserves the right to change design and/or dimensions.
- * Dimensions are the same for all other versions of this model.
Which Include (4S30L/S & 4S30R/S)

4MS30L/S or 4MS30R/S

48" [1219mm] 4-Piece Shower w/ 7" [178mm] Threshold, Center Drain, Molded Seat, & Molded Shelving

Clarion
BATHWARE
44 Amsler Ave.
Shippensburg, PA 16254

Phone: (814) 226-5374
Toll Free: (800) 576-9228
Fax: (814) 226-0730
www.clarionbathware.com

Signatures For Approval:

Customer: _____
Arch./Engr: _____

Date: _____

Quote #: _____
Job Name: _____

DWG. #

4MS30LS or RS -CUT

By: NMH

Date: 4/26/2017