

## ⚠ WARNING

**DISCONNECT POWER BEFORE RE-LAMPING OR WIRING THE FIXTURE  
READ ALL INSTRUCTIONS COMPLETELY BEFORE STARTING INSTALLATION.**

## ⚠ CAUTION

- TO AVOID THE RISK OF FIRE OR SHOCK, FIXTURE MUST BE INSTALLED IN COMPLIANCE WITH ALL APPLICABLE NATIONAL AND LOCAL ELECTRICAL/BUILDING CODES.
- INSTALLATION AND MAINTENANCE OF THIS UNIT REQUIRES AN ELECTRICIAN OR CERTIFIED FACTORY TRAINED TECHNICIAN.
- If an existing fixture is being replaced, remove it and note to which of the wires in the outlet box the fixture was attached. DO NOT SEPARATE ANY OTHER WIRES THAT MAY BE IN THE BOX. DO NOT DAMAGE THE INSULATION OF OLDER WIRING. In regular circumstances the BLACK wire will be the "Hot" lead and the WHITE wire will be the "Neutral" or "Common" lead. A GREEN or BARE COPPER wire is the "Ground". In older buildings it is always good practice to reconfirm the polarity of the wiring.

## NOTICE

- The important safeguards and instructions outlined on this sheet cannot cover all possible conditions and situations that may occur. It must be understood that common sense, caution and care factors that cannot be built into any product. Caution and care must be supplied by the person(s) installing, operating and caring of this lighting fixture.
- This fixture is designed to be mounted on a correctly installed standard round or octagon box or a through wiring box with a plaster frame. The box must be securely mounted to the structure of the building. The crossbar and hardware supplied should be used. Directly mounting the fixture to the outlet box may make it impossible to correctly align the fixture.

## NOTICE:

**CALIFORNIA PROP 65: THIS LIGHTING FIXTURE CONTAINS CHEMICALS KNOWN TO THE STATE OF CALIFORNIA TO CAUSE CANCER, BIRTH DEFECTS, AND/OR OTHER REPRODUCTIVE HARM. WASH HANDS AFTER USE.**

### FIXTURE PREPARATION

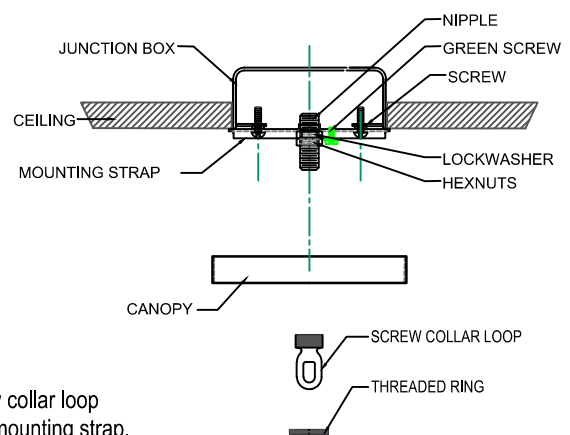
1. Remove the fixture, parts and parts bag(s) from the carton.

#### NOTICE:

- Before discarding the carton, double check to make certain that all parts are found.

### FIXTURE INSTALLATION

1. Attach the mounting strap to the junction box.  
(The green screw should face the floor)  
Place the mounting strap at the junction box and fasten using the round head screw.
2. Remove the threaded ring from the screw collar loop. Fully thread the screw collar loop onto the nipple. Thread the hex nut onto the nipple and the nipple into the mounting strap.  
Place the canopy over the screw collar and against the ceiling. Adjust the nipple so that  $\frac{1}{4}$ " of threads on the screw collar loop extend beyond the canopy. Tighten the hex nut against the crossbar. Using the threaded ring, install the canopy. (See Figure -01)



**FIGURE-01**

3. Assemble the fixture. Fasten the Stem Segment -B to the Distributor, then the Stem Segment -A to Stem Segment -B and then the top ball to the Stem Segment -A. (See Figure -02)

4. Attach the frame with glass to the chain links on fixture using round head screws. (See Figure -03)

5. Attach the chain to the collar loop on the canopy using a quick link chain. Determine the desired height of the fixture and remove excess chain link. Hang the fixture on the end of the chain link using a quick link chain. Run the lead wires & safety cable to the chain link up to the canopy. Unscrew the threaded ring from the collar loop. Allow the ring an canopy to slide down the chain to the top of the fixture. (See Figure -04)



### WARNING

The use of chain pliers for opening and closing chain is required. The use of tools other than the chain pliers may damage the chain link resulting in a failure which can cause harm to the fixture, property and/or person(s)!!!

6. Attach the Safety cable to the building or structure or brace. (See Figure-04)

7. Measure 6" of lead and ground wire beyond the top of the chain. Cut off the excess wire. Strip the insulation off the ends of the leads exposing approx. 1/2" of wire. Twist the strands of wire together. Push the leads and ground wire up through the collar loop and into the outlet box.

8. Fasten the ground wire to the green or bare copper wire in the outlet box of the green screw on the mounting strap.



### WARNING

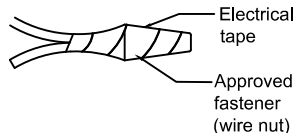
Never fasten the ground wire to the black or "hot" wire!  
Failure to follow this instruction could result in serious injury or death!

9. Fasten the white fixture lead to the white wire in the outlet box. Fasten the wires together with an approved fastener (wire nut). Starting about 1" below the fastener, tightly wrap the connection with electrical tape so that the connections seals the end of the fastener.



### WARNING

Make sure that there is no exposed wire or strands that could cause a dangerous short circuit!



10. Connect the black fixture lead to the black wire in the outlet box. Fasten the joined wires as in step 9.

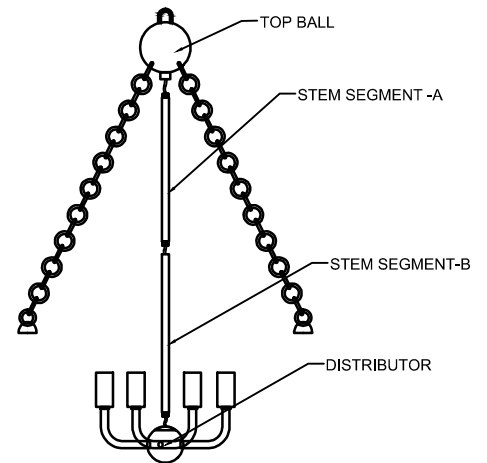


FIGURE-02

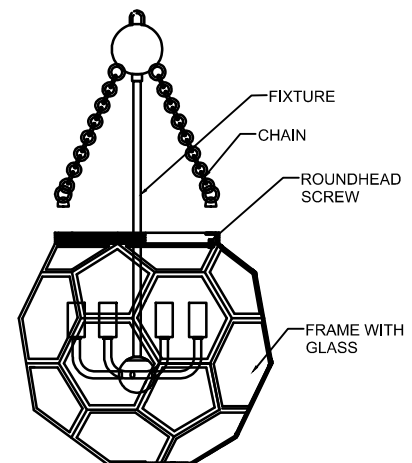


FIGURE-03

12. Install the lamps. (type-B lamp)

**NOTICE:**

This fixture is rated for 60w type-B lamp.



**WARNING**

**DO NOT EXCEED RECOMMENDED WATTAGE!**

13. Restore power to the circuit breaker or fuse box.

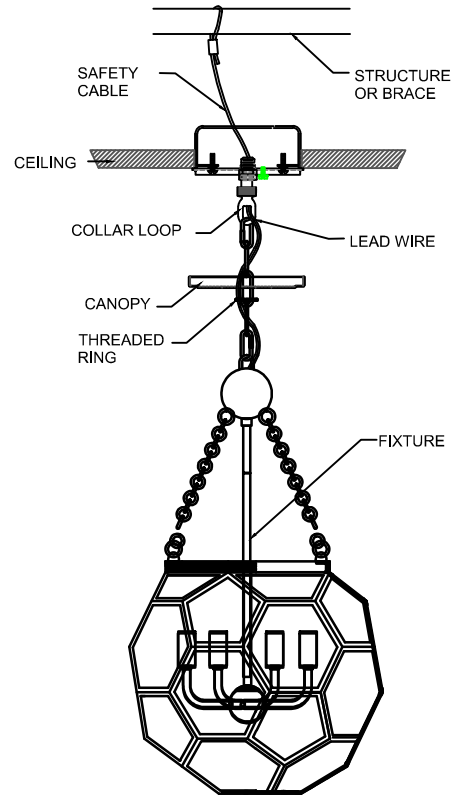


FIGURE-04