



### Features

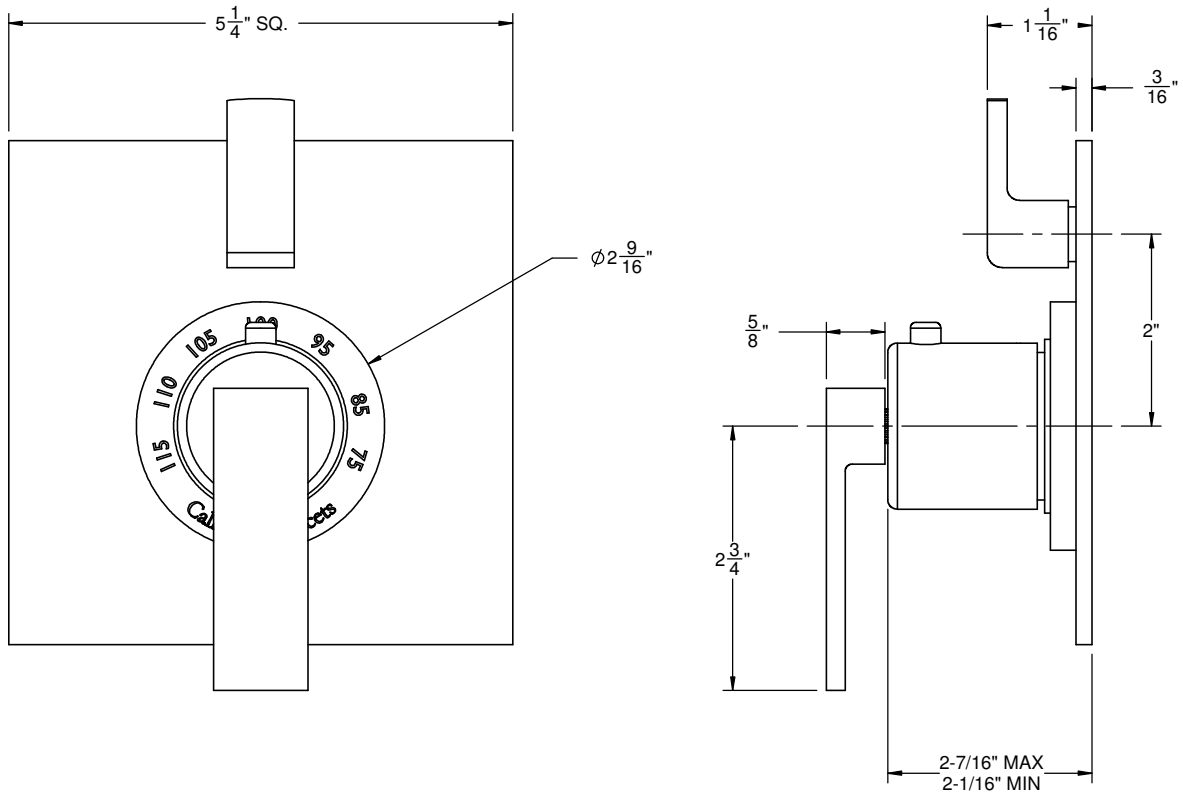
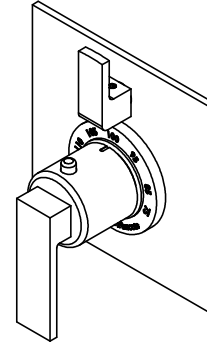
- All brass construction
- 100°F safety stop button with manual override
- Single integral volume control
- 5-1/4" square faceplate; flat profile
- Less head, arm and flange
- Engraved brass temperature ring
- Over 30 finishes including 15 PVD finishes

### Codes/Standards Applicable

Product meets or exceeds the following:

- ASME A112.18.1/CSA B125.1
- ASSE 1016
- ADA compliant

## TO-THF1L-77



ALL DIMENSIONS SHOWN TO NEAREST 1/16"