



California Faucets®

TOILET TANK LEVER

CONTEMPORARY UNIVERSAL FIT TANK LEVER

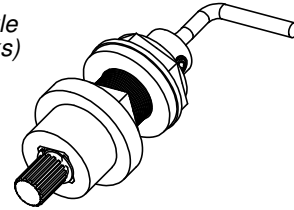
Features

- Over 30 finishes including 14 PVD finishes
- All brass handle and flange construction to match California Faucets products
- Universal fit compatible with most front, side and angled style toilet tanks with chain style flush (AKA: "flapper") valves (not compatible with pressure assist nor fill and dump tanks)
- Spring loaded handle for easy return
- Not necessary to drain tank water for installation
- Includes all tank lever hardware
- Patent pending design

Codes/Standards Applicable

- Meets or exceeds the following at date of manufacture:
- ADA (all lever handles)

9409C-XX



XX = SERIES HANDLE

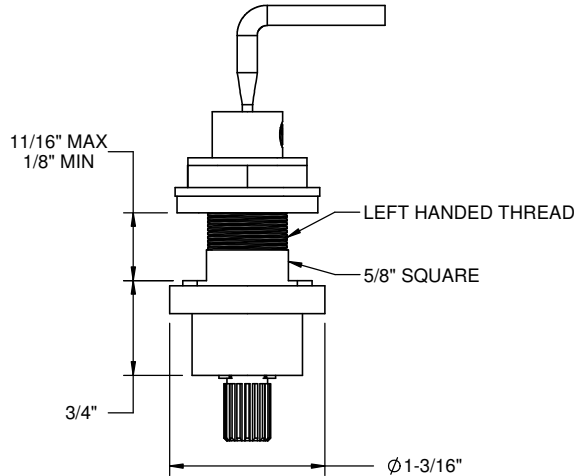
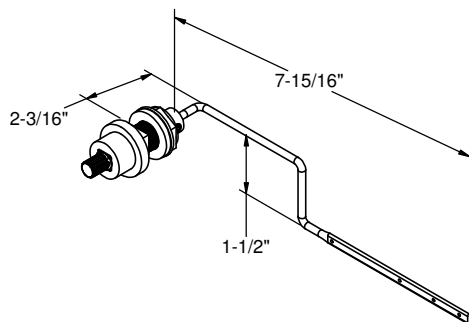
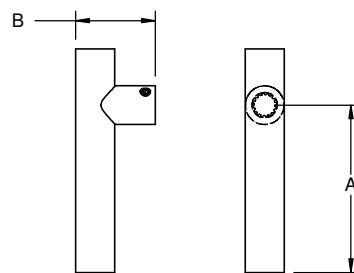
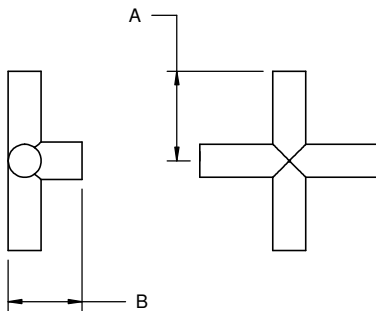
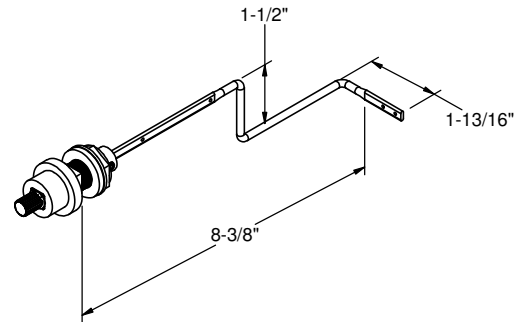


TABLE (ALL DIMENSIONS SHOWN IN INCHES)		
SERIES	A	B
44	2	1-1/4
45	3-15/16	1
57	3	1-3/16
62	1-5/8	1
65	1-3/8	1-1/8
66	2-1/4	1-1/4
70	2-3/4	13/16
71	1-7/8	1-5/8
72	1-1/4	1-5/8
73	1-1/4	1-3/8
74	3	1-1/2



FRONT MOUNT



SIDE MOUNT (LEFT)

ALL DIMENSIONS SHOWN TO NEAREST 1/16"