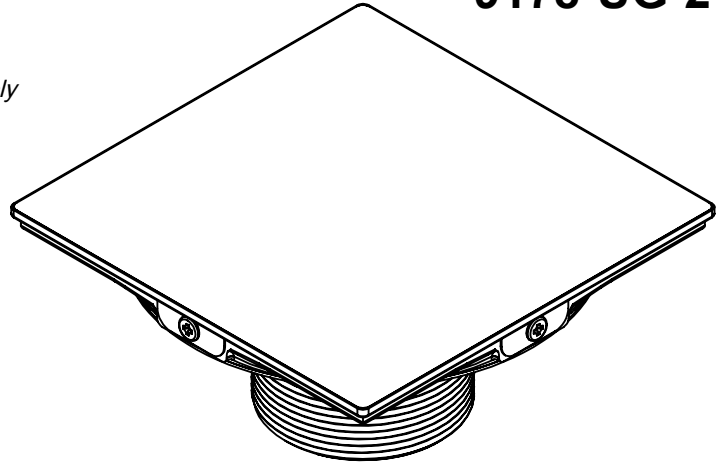




9178-UG-2

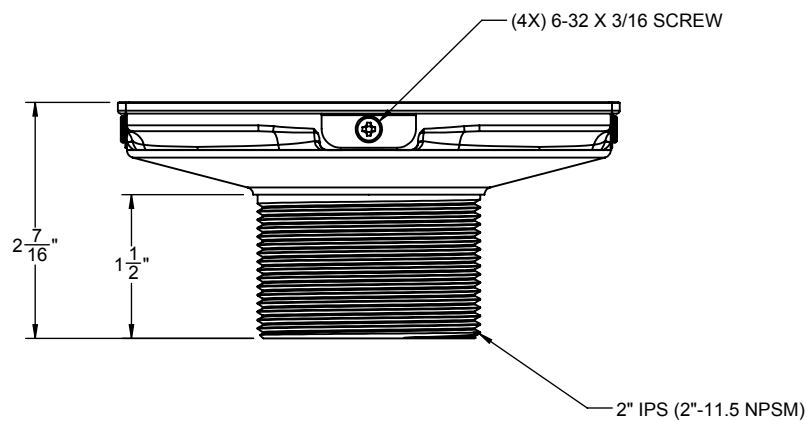
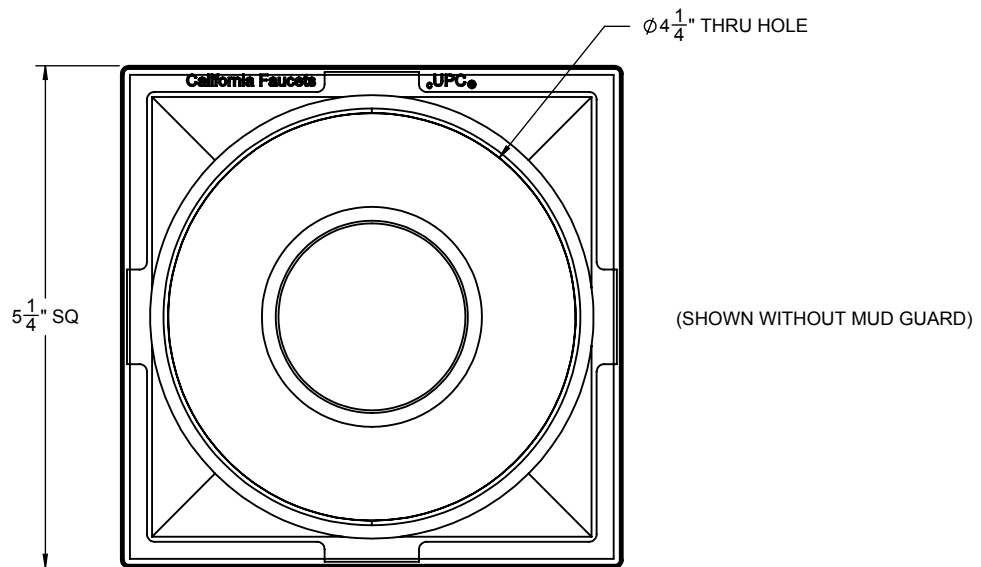
Features

- Allows for upgrade of common shower drains with 2" IPS collar (e.g. Otatey, Jones-Stephens, AB&A, etc.)
- Brass throat with stainless steel tile frame, screws, & mudguard
- Compatible with all StyleDrain grids (9170-A → 9176-A) sold separately
- Square design for easy floor design and installation
- For complete selection, see www.californiafaucets.com



Codes/Standards Applicable

- Specified model meets or exceeds the following:
- ASME A112.18.2/CSA B125.2
- US PAT NO. 8043497



ALL DIMENSIONS SHOWN TO NEAREST 1/16"