



California Faucets®

Steampunk Bay™

FLOOR MOUNT TUB FILLER WITH HANDSHOWER

Features

- All brass construction
- Over 28 finishes including 13 PVD finishes
- No additional wall or trap stabilizer kit required
- Tub filler Maximum flow rate: 15 gpm (58.6 L/min) at 60 psi
- Handshower Flow rate: 2.0 gpm (7.6 L/min) or 1.8 gpm (6.8 L/min)
- Handshower bracket may be placed on Cold or Hot side of body
- 1/4 turn ceramic disc cartridges
- Replace .FR with desired max flow rate:
8508X-ETF.20 for 2.0 gpm
8508X-ETF.18 for 1.8 gpm
- Rough kit (9516) sold separately

Codes/Standards

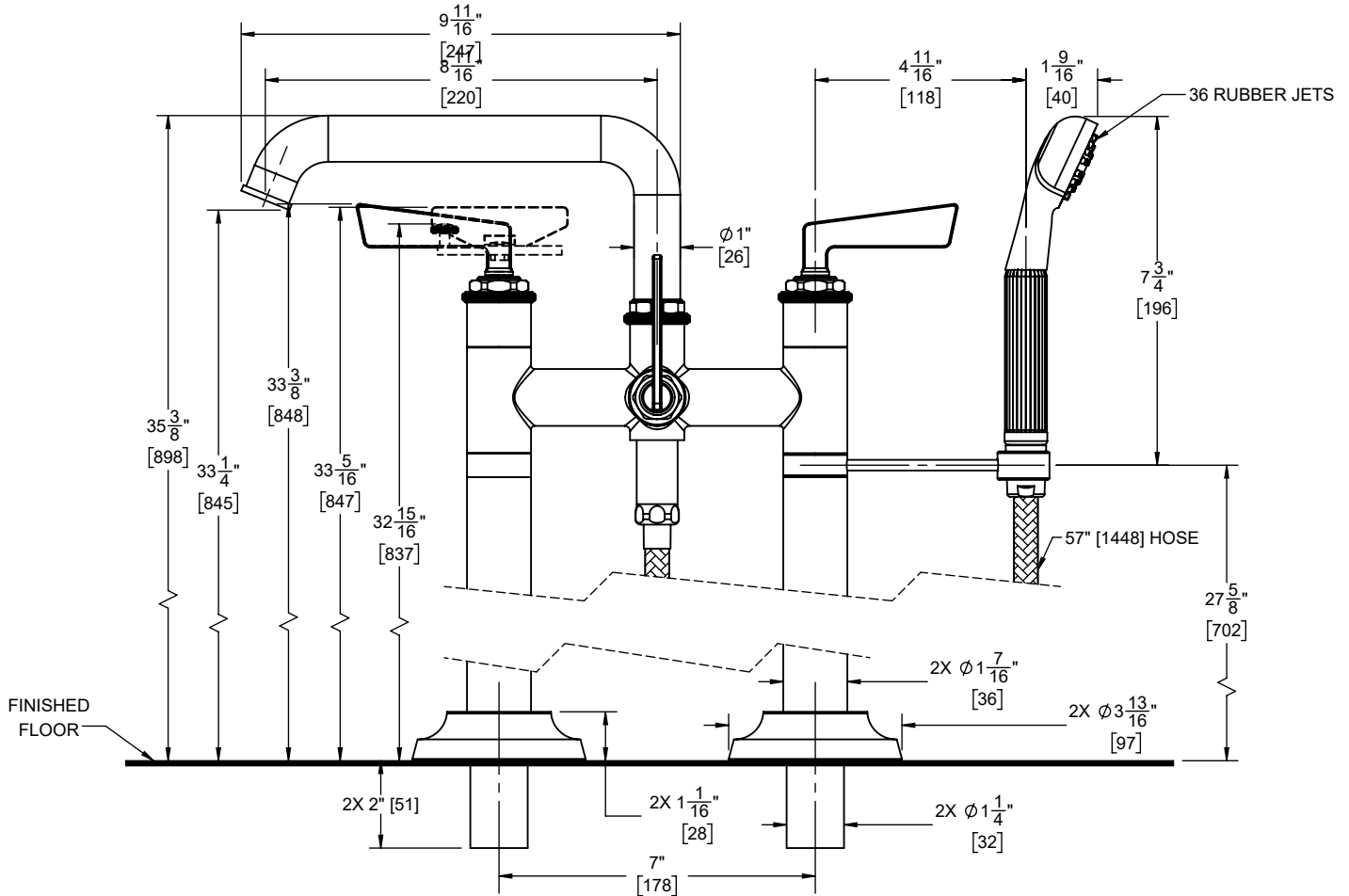
Product meets or exceeds the following:

- ASME A112.18.1/CSA B125.1
- CEC (1.8 gpm) / DOE (2.0 & 1.8 gpm)
- Commonwealth of MA
- EPA WaterSense (2.0 gpm)
- ADA compliant (with lever handles)
- Local codes may require installation of an upstream tempering valve



8508-ETF.18 SHOWN

8508W-ETF.20
8508W-ETF.18
8508B-ETF.20
8508B-ETF.18
8508-ETF.20
8508-ETF.18



- (8X) CONCRETE TRI-LOBE ANCHOR
- (8X) #10 X 2 STAINLESS STEEL SCREW

THROUGH-HOLE SPECIFICATIONS		
MIN	RECOMMENDED	MAX
Ø 1-1/4" [32]	Ø 1-5/16" [33]	Ø 1-1/2" [38]

SPECIFICATIONS SUBJECT TO CHANGE WITHOUT NOTICE

ALL DIMENSIONS SHOWN TO NEAREST 1/16"
[ALL DIMENSIONS SHOWN TO NEAREST 1MM]