

AXOR MyEdition

4-hole rim mounted bath mixer

Surfaces: **Chrome/Mirror Glass**

Article Number: **47430001**



Description

product features

- projection 150 mm
- connection type: basic set
- plate of glass made of safety glass
- spray type mixer: normal spray
- spray type hand shower: Stream, IntenseRain
- maximum pull-out length of hand shower: 1.10 m
- flow rate for bath spout at 3 bar: 22 l/min
- flow rate of hand shower at 3 bar: 7 l/min
- ceramic valves hot/ cold 90°
- min. operating pressure: 1 bar
- max. operating pressure: 10 bar
- with automatic resetting
- non-return valve
- connection dimension: DN15
- CEC/California/Watersaving
- cUPC/IAPMO/3016/Tap+shower/1,75pm
- DOE/FTC
- WaterSense/IAPMO/7286/Showers
- MASS/Massachusetts
- TECQ/Texas Registered

Technology



AXOR MyEdition
4-hole rim mounted bath mixer
Surfaces: **Chrome/Mirror Glass**

Article Number: **47430001**



Product image

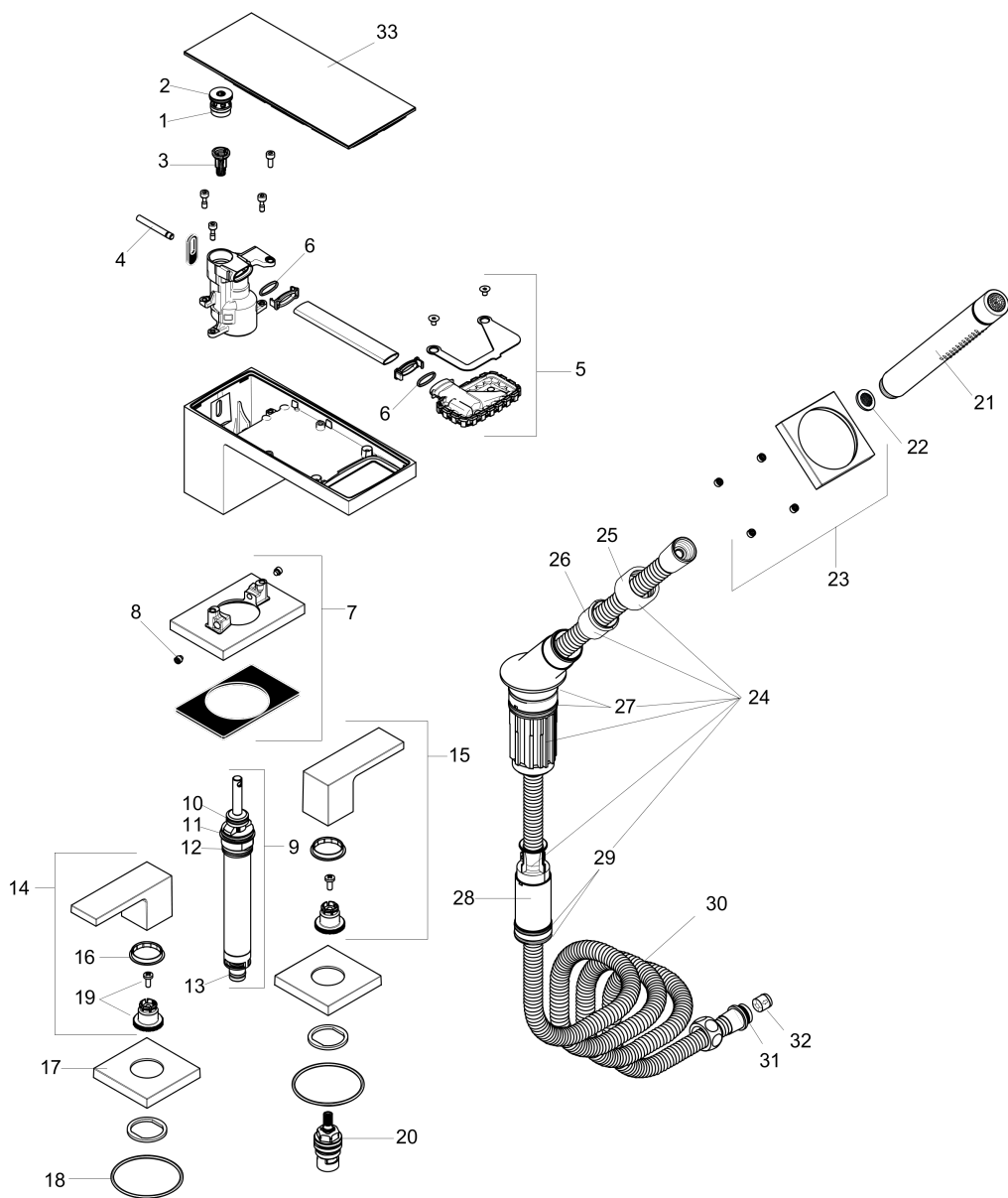


AXOR MyEdition
4-hole rim mounted bath mixer
 Surfaces: **Chrome/Mirror Glass** Article Number: **47430001**



Exploded Drawing

Year of production: >02/19



AXOR MyEdition
4-hole rim mounted bath mixer
 Surfaces: **Chrome/Mirror Glass** Article Number: **47430001**



Spare part list

Year of production: >02/19

Pos.	Description	Article Number	PC	PU
1	service unit	93369000	0	1
2	O-ring 17x1,5	98137000	0	1
3	filter insert	97708000	0	1
4	diverter knob	98707000	0	1
5	spray former	93376000	0	1
6	O-ring 13x1,5	98475000	0	1
7	escutcheon for spout	93368000	0	1
8	hollow set screw M6x6	97660000	0	1
9	selector	94037000	0	1
10	O-Ring 14x2,5	98189000	0	1
11	O-Ring 23x2,5	98183000	0	1
12	O-Ring 22x2	98185000	0	1
13	O-ring 9x2,5	98217000	0	1
14	handle for hot water	93364000	0	1
15	handle for cold water	93365000	0	1
16	set of color-rings cold / hot water	95819000	0	1
17	escutcheon for handle	93366000	0	1
18	O-ring 56x2	98468000	0	1
19	handle fixing set	94184000	0	1
20	shut off unit left closing	94008000	0	1
21	handshower	04486000	0	1
22	filter packing	94246000	0	1
23	escutcheon for shower holder	93367000	0	1
24	shower holder, assy	95996000	0	1
25	nut	97584000	0	1
26	insert for shower holder	96942000	0	1
27	O-ring 38x2,5	98198000	0	1
28	hose brake	98656000	0	1
29	O-Ring 28x2	98194000	0	1
30	cover	47900000	0	1
31	shower hose 2,00 m	94148000	0	1
32	O-ring 11x2	98127000	0	1
33	set of non return valves DW 15	94074000	0	1