



1 PIECE FREESTANDING INSTALLATION INSTRUCTIONS

READ AND SAVE THESE INSTRUCTIONS

IMPORTANT SAFETY INSTRUCTIONS: pertaining to a risk of fire, electric shock, or injury to persons

Warning: Whirlpool bathtubs utilize acrylic and fiberglass materials (which are inherently slippery surfaces), electricity, water, air pressure and suction. The following basic safety precautions should always be followed when using your bathtub.

CAREFULLY **READ AND FOLLOW ALL INSTRUCTIONS** before attempting to operate your whirlpool or Airbath® Bathtub.

1. Prior to Installation:

- Remove protective plastic and packaging and carefully inspect for any damage.
- Check tub for correct model name, size, color and trim finish.
- The tub **MUST** be tested while pump, electrical systems, and piping (plumbing) are accessible.
- If there are any issues, do not install and report the issues immediately to our factory or the authorized dealer.

2. **WARNING:** To avoid injury, exercise caution when entering or exiting the bathtub.

3. **DANGER/WARNING:** To reduce the risk of injury, do not permit children or persons with a disability to use this unit unless they are closely supervised at all times. Risk of accidental injury or drowning. Children should not use hydromassage bathtub without adult supervision.

4. **WARNING:** Risk of accidental injury or drowning; Do not use hydromassage bathtub unless all suction guards are installed to prevent body and hair entrapment.

5. This product is for indoor use only. Use the bathtub only for its intended purpose as described in this manual and do not use attachments or accessories which are not recommended by manufacturer.

6. Never drop or insert any objects into any openings.

7. Persons with long hair should wear a bathing cap when using the bathtub.

8. **WARNING:** Risk of accidental injury or drowning; do not use drugs or alcohol before or during the use of a bathtub or hydromassage bathtub equipped with heater to avoid unconsciousness or possible drowning.

9. **WARNING:** Risk of Fetal Injury; pregnant or possibly pregnant women should consult a physician before using a hydromassage bathtub equipped with heater.

10. The bathtub must be connected to an electrical supply circuit that is protected by a ground fault circuit interrupter (GFCI) which is provided by the installer. The GFCI should be tested periodically to ensure that it is working properly.

11. Keep all appliances, such as radios and hair dryers, a safe distance from the bathtub.

12. For permanently connected units, green colored terminal (or a wire connector marked "G", "GR", "Ground", or "Grounding") is provided within the terminal compartment. To reduce the risk of electrical shock, connect this terminal or connector to the grounding terminal of your electrical service or supply panel with a conductor equivalent in size to the circuit conductors supplying this equipment.

13. Install in accordance with manufacturer's installation instructions. Failure to comply with all instructions, requirements and warnings contained in this manual creates a serious hazard to the bathtub user and may result in serious personal injury.

Warning: The causes, symptoms, and effects of hypothermia may be described as follows: hypothermia occurs when the internal temperature of the body reaches a level several degrees above the normal body temperature of 98.6. The symptoms of hypothermia include an increase in the internal temperature of the body, dizziness, lethargy, drowsiness, and fainting. The effects of hypothermia include (1) failure to perceive heat, (2) failure to recognize the need to exit the spa or hot tub, (3) unawareness of impending hazard, (4) fetal damage to pregnant women, (5) physical inability to exit the spa or hot tub, and (6) unconsciousness resulting in the danger of drowning.

Warning: The use of alcohol, drugs, or medication can greatly increase the risk of fatal hypothermia.

TECHNICAL SERVICE

For technical service or field service, you must:

1. Locate the product identification tag. This tag includes all pertinent information specific to your product, including the model, size, color, date of manufacture and ID number.
2. Write down all information and have it available when contacting the manufacturer.

The manufacturer maintains strict guidelines for field service and will require this information in order to facilitate your request and determine if a field service representative is required.

Warning: The unit does not contain any user serviceable parts. Any other servicing should be performed by a qualified licensed service agent.

1 piece freestanding tub installation

Americh baths are assembled complete and ready for installation. Immediately upon receiving the bath and removal of packing, **INSPECT** the unit for freight damage. Any claims for damage, whether apparent or hidden, must be made to freight carrier immediately, in order for them to assume all associated costs. Should inspection reveal any defect in the finish, **DO NOT INSTALL THE BATH**. Damage or defect to the finish claimed after the bath is installed is excluded from the warranty. The warranty **DOES NOT** cover labor or materials to remove or re-install the bath.

PRIOR TO INSTALLATION

Check to ensure that:

1. The installation will conform with all applicable Federal, State and Local Building Codes & Regulations;
2. The unit is the correct model and color;
3. There has been no shipping damage;
4. The "notice" or "warning" tags on the bathtub have been read and thoroughly understood;
5. The interior of the tub will be protected during installation;
6. Make sure sub floor is level.
7. Water test to make sure tub drains properly.

DURING INSTALLATION

Check to ensure that:

1. An access panel with minimum dimensions of 16" height by 20" width is required at the pump end of the bathtub to allow for pump accessibility in the event that maintenance or servicing is necessary. The area surrounding the pump must have sufficient air movement.
2. All building materials and wiring should be routed away from the pump body or other heat producing components of the unit.
3. Bathtubs with combination whirlpool and Airbath systems may require 2 access panels with minimum dimensions of 16" height by 20" width.

ELECTRICAL REQUIREMENTS

Manufacturer recommends a dedicated 20 amp circuit breaker for each power cord supplied on your whirlpool bathtub. **WARNING** - When using electrical products, basic precautions should always be followed, including the following:

1. **DANGER: Risk of electric shock.** Connect only to a supply circuit protected by a Class A ground-fault circuit-interrupter (GFCI). Test on a routine basis.
2. Grounding is required. The unit should be installed by a qualified service representative and grounded.
3. (For built-in and custom units) install to permit access for servicing.
4. Supply 110 Volt electrical outlet. This circuit must be protected by a ground fault circuit interrupter (GFCI.)
5. Plug supply cord(s) into electrical outlet.
6. To test the GFCI, do the following:
 - a. Push the test button;
 - b. Check to see that power has been interrupted;
 - c. Push the reset button;
 - d. Check to see that power has been restored.

If the GFCI does not operate properly during the test, there is a ground current flowing indicating the risk of electric shock. Do not use this unit. Disconnect the unit and have the problem corrected by a qualified service representative before using.

Refer to Operating Instructions for system operations and wiring diagrams.

1 piece freestanding tub installation

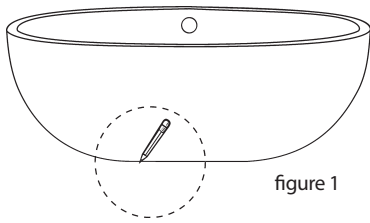


figure 1

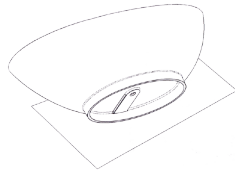


figure 2

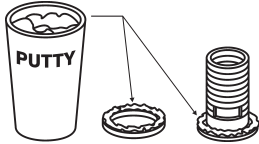


figure 3

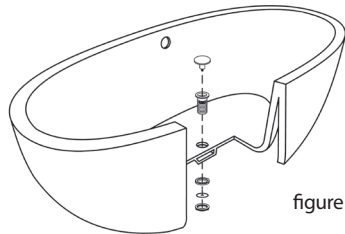
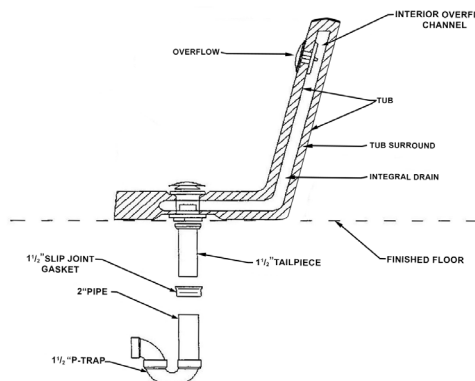
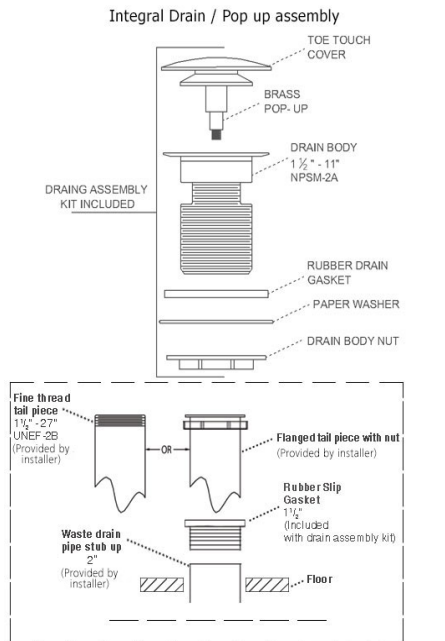


figure 4

figure 5
(Integral Drain Unit Hardware Shown)



PREPARATION

1. Clean, level, and prepare the floor for installation.
2. Place the unit in the exact installed position on the floor and trace the outline of the bath with a pencil or any erasable marking (figure 1).
3. Determine the location of the drain pipe on the floor by taking measurements of the drain and waste location underneath the unit (figure 2).

Note: Drain and waste locations will vary by model.

4. Using a blanket, cardboard, or other clean protective surface, turn the unit on its side so that the unit is properly supported during drain installation.
5. Clean the drain hole area in preparation of setting the drain. The area should be dry and free of any debris.

INSTALL DRAIN & TAIL PIECE HARDWARE

All parts involved in tail piece installation are provided by the installer.

Determine if the tub has a factory installed integral drain or if a field installed drain is requested. Tubs with factory installed integral drains continue with instructions. Tubs with field installed drains go to step 10.

Tubs with factory installed integral drains (steps 6-12):

6. Apply a bead of clear silicone or plumbers putty around the Drain Body and pass it through the drain hole (figure 3).
7. Apply plumbers putty to the Rubber slip gasket and slide it over the bottom of the Drain Body (figure 3).
8. Slide the paper washer over the drain body.
9. Attach the Drain Body Nut on the Drain Body and tighten until the Nut and Washer have created a seal with the bottom of the bathtub. **DO NOT OVERTIGHTEN** (figure 4).
10. Insert 1 1/2" rubber slip gasket into the drain waste vent (figure 5).
11. Cut tail piece to desired length (will vary for each installation).
12. Connect tail piece assembly to drain body (figure 5).

1 piece freestanding tub installation

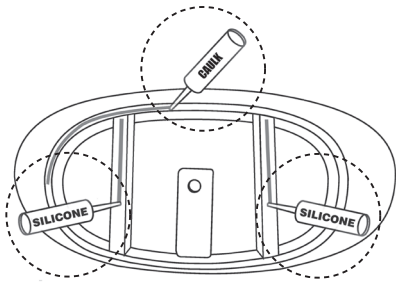


figure 6

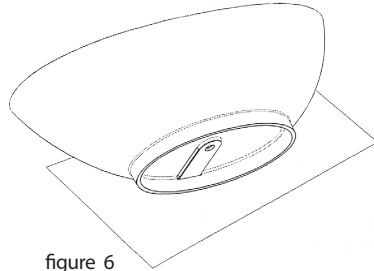


figure 6

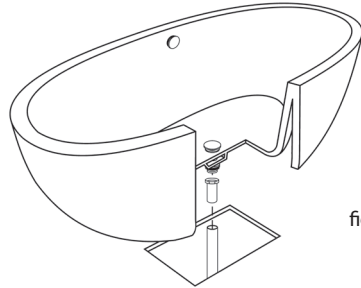


figure 7

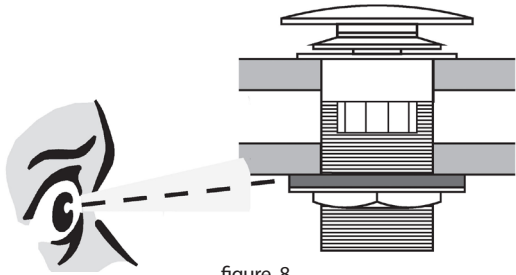


figure 8

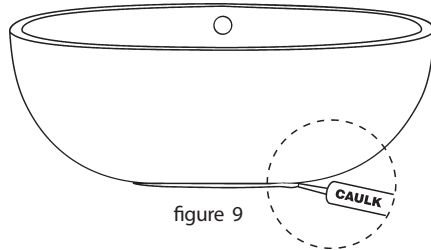


figure 9

INSTALL BATHTUB

- Then apply a bead of tub and tile caulk around the edge of the base (figure 6).
- Carefully** set tub into position (figure 7) and connect the drain hardware (previously installed).

COMPLETE BATHTUB INSTALLATION

- Fill the tub with water to the overflow and then drain the tub while inspecting the waste connections below the floor for leaks. Access from below may be necessary for this step.
- With the bathtub now in place, wipe off any excess tub and tile caulk and adhesive where the tub meets the floor.
- Run a bead of tub and tile caulk around the bottom edge of the bathtub where it meets the floor. Wipe off any excess caulk with a wet cloth (figure 9).

INSTALL OVERFLOW HARDWARE

- Place the Back Plate over the screw of the overflow cover (figure 10).
- Align the Overflow Cover with the Bar (installed at the factory) in the overflow hole.
- Carefully hand tighten the Overflow Cover until it stops. **DO NOT OVER TIGHTEN**

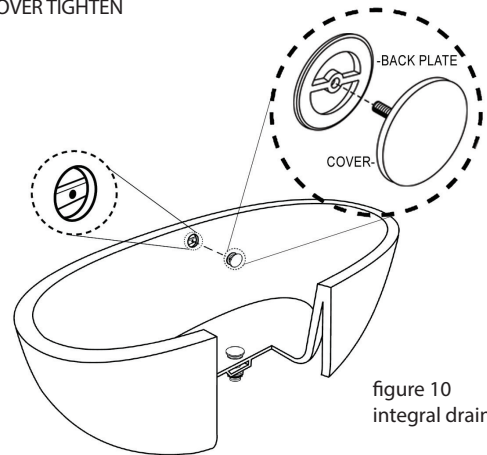
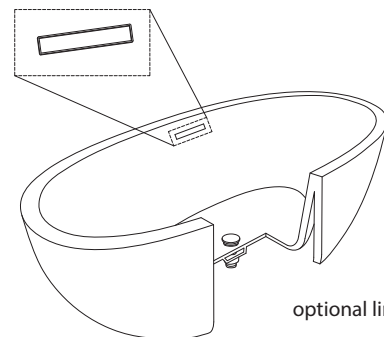


figure 10
integral drain

NOTE: If tub has optional linear overflow with plate (see below), the overflow plate is pre-installed at factory.



optional linear drain

in compliance with

ANSI Z124.1 - 1995 ANSI A112.19.7 - 1987
ANSI A112.19.8 - 1987



©10/16

listed by

