

Aqua-Pure®

Spec # _____

Quantity _____

Models:

AP200

Drinking Water System

Applications:

- Chlorine Taste & Odor
- Sediment*

At a Glance:

- Reduces sediment* and chlorine taste & odor
- Space saving compact design
- Premium performance dual action AP217 cartridge included
- Mounting bracket included
- Made from FDA CFR-21 Compliant materials



AP200

Product Benefits:

- Space saving design provides easy installation under sink or in confined spaces
- System provides high flow rate to 2 gpm to all standard kitchen and bathroom faucets
- Provides multi-stage filtration process for clearer, cleaner, better tasting water with high efficiency chlorine taste & odor and sediment* reduction in one system
- Designed with specially formulated high-adsorption activated carbon to provide effective filtration of unwanted tastes, odors and chlorine
- Premium performance pre-filter helps provide longer life and high sediment* removal efficiency
- System tested and certified by NSF International to verify system design and performance by a recognized third party certifier
- 5 year limited warranty to help provide long-term operation, factory support and service

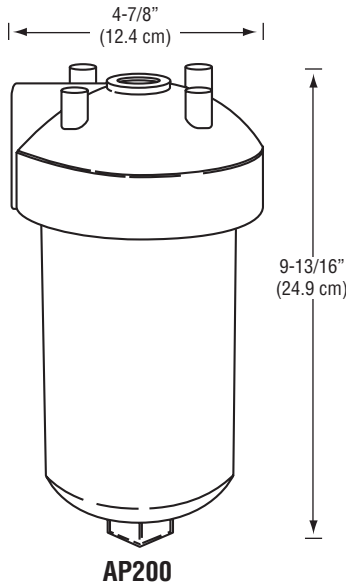
Product Specifications:

Model No. (Part No.)	Inlet/ Outlet Size	Dimensions		Approx. Weight	Flow Rate	Clean Pressure Drop	Max. Water Temp.	Max. Water Pressure	Standard Repl. Ctg. No.	Repl. Ctg. Qty.	Degree of Filtration
		Height	Diameter								
AP200 (55289-01)	3/8" NPT	9-13/16" (24.9 cm)	4-7/8" (12.4 cm)	2.8 lbs. (1.3 kg)	2.0 gpm (7.6 lpm)	N/A	100°F (37.8°C)	125 psi (862 kPa)	AP217	1	5 micron nominal

* Not tested or certified by NSF



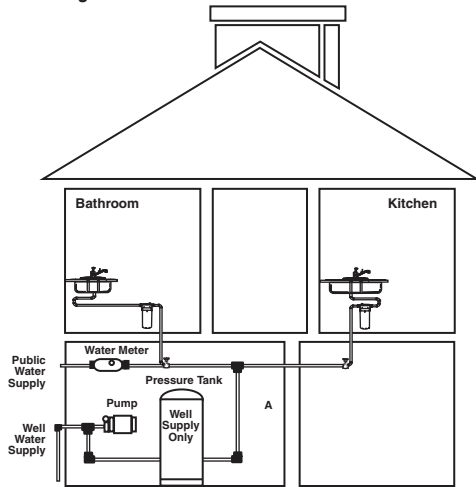
Aqua-Pure®



AP200

Easy Installation:

CAUTION: Diagram shown is for reference purposes only. Read installation and operation manual prior to installing the unit.



Spec # _____

Quantity _____

Model Number _____

Part Number _____

Physical Specifications:

- Standard 3/8" NPT inlet/outlet connections
- System is a single vessel design
- System is manufactured from FDA CFR-21 compliant materials
- System has maximum operating pressure of 125 psi (862 kPa) and operating temperature of 100°F (37.8°C)
- System to be installed on primary kitchen or bath cold water faucet

Replacement Cartridge Options

Model	Sediment Load	Nominal Micron Rating	Application		Flow Rate
			Sediment*	Chlorine Taste & Odor	
AP217	Normal	5	•	•	2 gpm (7.57 lpm)

* Not tested or certified by NSF

WARNING: Do not use with water that is microbiologically unsafe or of unknown quality without adequate disinfection before or after the system. The contaminants or other substances removed or reduced by this water filter are not necessarily in all users water.

CUNO Incorporated recommends regularly scheduled maintenance and replacement of the filter cartridge(s) in order for the product to perform as advertised/sold. **Change the filter cartridge at least every 6 months. Improper installation and maintenance may result in property damage due to water leakage.**

Limited Warranty:

CUNO Incorporated warrants that this product is free from defects in materials and workmanship. This limited warranty, together with any and all warranties implied by law, shall be limited to a period of five (5) years from the date of original purchase. This limited warranty does not apply to failures that result from abuse, misuse, alteration or damage not caused by CUNO or failure to properly comply with these installation or cartridge change-out instructions. This limited warranty is subject to exclusions and limitations. Please refer to the Warranty Card provided with the product for details.

Distributed by:

CUNO and Aqua-Pure are trademarks of 3M Company used under license. NSF is a trademark of NSF International. © 2007 3M Company. All rights reserved. LITAP200 0607



Visit www.nsf.org for the claims associated with products that are NSF listed.



CUNO Incorporated
 400 Research Parkway
 Meriden, CT 06450 U.S.A.
 Toll Free: 1.800.222.7880
 Worldwide: 203.237.5541
 Fax: 203.238.8701
www.aquapure.com • www.cuno.com