



## 3M™ Reverse Osmosis Drinking Water Filtration System

### APPLICATION: Premium Reverse Osmosis Drinking Water<sup>1</sup>

Drinking and hydration • Hot and cold beverages • Cooking and food preparation • Pet hydration • Aquatic aquariums



Optimized for the reduction of the VOC p-Dichlorobenzene!<sup>\*</sup>

**MODEL: 3MR0401**

The 3M™ Reverse Osmosis Drinking Water Filtration System helps provide cleaner, better tasting water through reverse osmosis filtration. 3MR0401 offers multi-stage filtration, incorporating separate sediment and chlorine taste & odor filters for excellent membrane module protection, a sanitary, encapsulated reverse osmosis membrane, and carbon block post-filter for superior flow from a dedicated faucet.

The system is powered by residential line pressure — no electricity required. The system helps conserve water, shutting down when the storage tank is full and turning back on to refill the tank. Replacement filters are easy to change – twist on, twist off, no mess.

### PRODUCT BENEFITS:

- Reduces Sediment, Chlorine Taste & Odor, Cysts, Arsenic, Barium, Cadmium, Chromium (Hex), Chromium (Tri), Copper, Fluoride, Lead, Radium, Selenium, the VOC p-Dichlorobenzene, Turbidity and Total Dissolved Solids (TDS)\*.
- Installs under the sink for dedicated drinking and cooking water use.
- 5 micron sediment/carbon pre-filter for optimal sediment holding capacity.
- Granulated activated carbon pre-filter to help protect membrane.
- Reverse osmosis membrane module capable of producing up to 18.95 gallons (71.73 liters) per day of clean, fresh water every 24 hours<sup>†</sup>.
- 10 micron nominal carbon block post-filter to provide satisfying flow from faucet.
- Sanitary Quick Change (SQC) design, allows for fast and easy, 1/4 turn replacement filter change-outs without the need of a filter wrench.
- System designed for both chlorinated and non-chlorinated municipal or well systems.
- Helps conserve water (compared to systems without an auto shut off), shutting system down when storage tank is full and automatically turns on to refill tank.

### PRODUCT SPECIFICATIONS:

Model/Part Number	Reduction Claims	Dimensions (H x W x D)	Approx. Weight	Daily Production Rate <sup>†</sup>	Service Flow Rate	Temperature Range	Pressure Range	Replacement Filters
3MR0401	Sediment, Chlorine Taste & Odor, Cysts, Arsenic, Barium, Cadmium, Chromium (Hex), Chromium (Tri), Copper, Fluoride, Lead, Radium, Selenium, the VOC p-Dichlorobenzene, Turbidity and Total Dissolved Solids (TDS)*	16.06" x 13.94 x 4.38" (40.8 cm x 35.4 cm x 11.2 cm)	21.0 lbs. (9.5 kg)	18.95 gpd (71.73 lpd)	0.6 gpm (2.3 lpm)	40 - 100°F (4.4 - 37.8°C)	40 - 100 psi (276- 689 kPa)	3MR0P411 3MR0P412 3MR0M413 3MR0P416

<sup>1</sup> Based on higher flow rate, higher daily production rate and reduction of the VOC p-Dichlorobenzene claims compared to the previous 3MR0401 model.

\* See Performance Data Sheet for additional details.

<sup>†</sup> Nominal production rate of membrane when running to atmosphere (i.e., with empty tank) at 77° F and 50 PSI is 18.95 gpd (71.73 lpd). Production varies based on pressure (fullness) of storage tank.

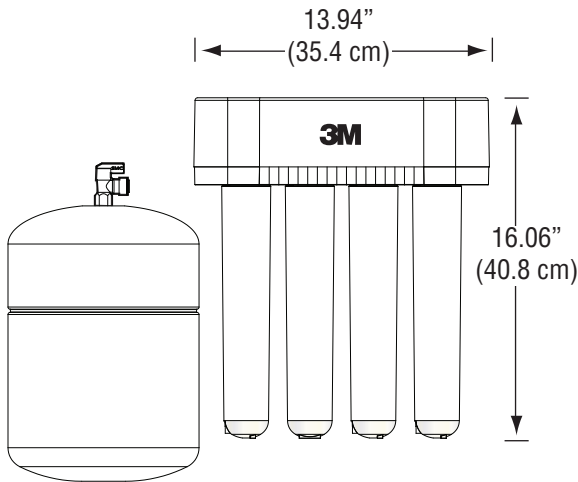
To obtain additional information please call our Customer Care team at 855-3M-WATER or visit our website at [www.3MWater.com](http://www.3MWater.com)

## INSTALLATION DIFFICULTY



Skills Needed: (Please refer to installation difficulty chart on website for additional information)

- Professional installation recommended.



\* See Performance Data Sheet for additional details.

† Nominal production rate of membrane when running to atmosphere (i.e., with empty tank) at 77° F and 50 PSI is 18.95 gpd (71.73 lpd). Production varies based on pressure (fullness) of storage tank.

## LIMITED WARRANTY

3M Purification Inc. warrants this Product will be free from defects in material and manufacture for the following periods from the date of purchase. Twelve (12) years for the Product, except for the replacement filter cartridges and membrane, which are warranted for one (1) year. This warranty does not cover failures resulting from abuse, misuse, alteration or damage not caused by 3M Purification Inc. or failure to follow installation and use instructions. No warranty is given as to the service life of any filter cartridge or membrane as it will vary with local water conditions and water consumption. **3M PURIFICATION INC. MAKES NO OTHER WARRANTIES OR CONDITIONS, EXPRESS OR IMPLIED, INCLUDING, BUT NOT LIMITED TO, ANY IMPLIED WARRANTY OR CONDITION OF MERCHANTABILITY OR FITNESS FOR A PARTICULAR PURPOSE OR ANY IMPLIED WARRANTY OR CONDITION ARISING OUT OF A COURSE OF DEALING, CUSTOMER OR USAGE OF TRADE.** If the Product fails to satisfy this Limited Warranty during the warranty period, 3M Purification Inc. will replace the Product or refund your Product purchase price. This warranty does not cover labor. **The remedy stated in this paragraph is Customer's sole remedy and 3M Purification Inc.'s exclusive obligation. For additional information, see the entire Limited Warranty located in the product Installation and Operating Instruction Manual.**

**Limitation of Liability.** 3M Purification Inc. will not be liable for any loss or damage arising from this 3M Purification Inc. product, whether direct, indirect, special, incidental, or consequential, regardless of the legal theory asserted, including warranty, contract, negligence or strict liability. Some states and countries do not allow the exclusion or limitation of incidental or consequential damages, so the above limitation or exclusion may not apply to you.

## SPECIFICATIONS

- System includes a tank, faucet, sediment filter, granulated carbon filter, membrane module and a carbon block post-filter.
- System maximum operating pressure of 100 psi (689 kPa) and operating temperature of 100°F (37.8°C).
- Daily production rate up to 18.95 gpd (71.73 lpd)<sup>†</sup>, service flow rate of 0.6 gpm (2.3 lpm).
- System is NSF Standards 42, 53 and 58 certified\*.
- Replacement filters are sanitary in design, requiring no contact with the filter media during filter change-out.
- System Efficiency: 13.06% Efficiency rating means the percentage of the influent water to the system that is available to the user as reverse osmosis treated water under operating conditions that approximate typical daily usage.

## IMPORTANT

**⚠ WARNING: Read entire manual. Failure to follow all guides and rules could cause personal injury or property damage.**

- Check with your local public works department for plumbing codes. You must follow their guidelines as you install the Water Filtration system.
- Your Water Filtration system will withstand up to 100 pounds per square inch (psi) water pressure. If your house water supply pressure is higher than 80 psi, install a pressure reducing valve before installing the Water Filtration system.

**To reduce the risk associated with the ingestion of contaminants:**

- DO NOT use with water that is microbiologically unsafe or of unknown quality without adequate disinfection before or after the system. Systems certified for cyst reduction may be used on disinfected water that may contain filterable cysts. EPA Establishment # 070595-MEX-001

**NOTICE: To reduce the risk associated with water leakage or flooding:**

- **Read and follow** Use Instructions before installation and use of this system.
- Change the disposable filter cartridge at the recommended interval; the disposable 3MROP411 and 3MROP412 pre-filter cartridges and 3MROP416 post-filter cartridge **MUST** be replaced every 12 months or sooner.
- Change the disposable membrane filter cartridge at the recommended interval; the disposable 3MROM413 RO membrane cartridge **MUST** be replaced every 36 months or sooner.
- Failure to replace the disposable filter and membrane cartridges at recommended intervals may lead to reduced filter performance and failure of the filters, causing property damage from water leakage or flooding.

### 3M Innovation

#### Inventing Tomorrow

Innovation—the art and science of applying creativity to develop practical and novel solutions—has been our hallmark for more than a century. It's more than a way of developing products. Innovation is part of our DNA. At 3M Purification, we apply that spirit of innovation through every day conveniences that improve your style of life.



System tested and certified by NSF International against NSF/ANSI Standard 42, 53 and 58 for the reduction of claims specified on the Performance Data Sheet.

Available exclusively through your 3M Authorized Water Dealer

