



FEATURES

- Solid brass construction
- Single volume and temperature lever control
- Cascading water flow
- Press pop-up drain with overflow # ABDR00699
- Ceramic cartridge # ABCA07799
- 3/8" connection
- 18" stainless steel braided supply hose

AQUACRISTAL handle available

FINISHES

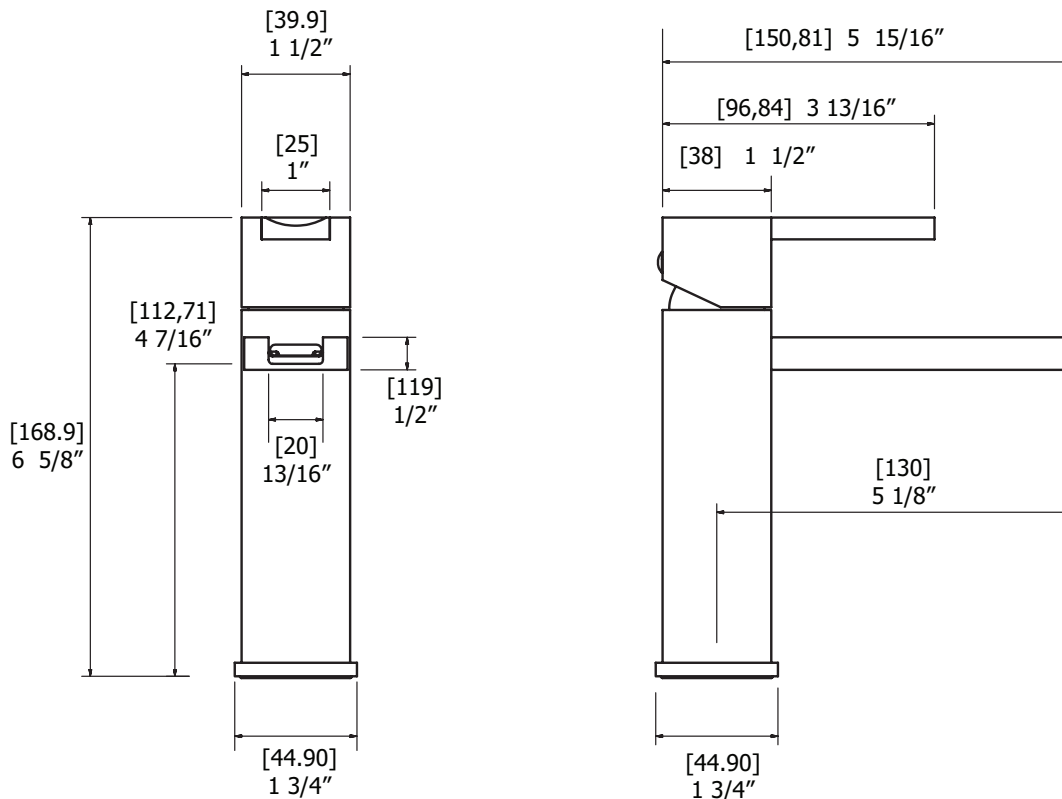
- Standard polished chrome (pc)
- brushed nickel (bn)
- Custom
- 19 Custom finishes available
- (ask your local Aquabross authorized dealer for details)

WARRANTY

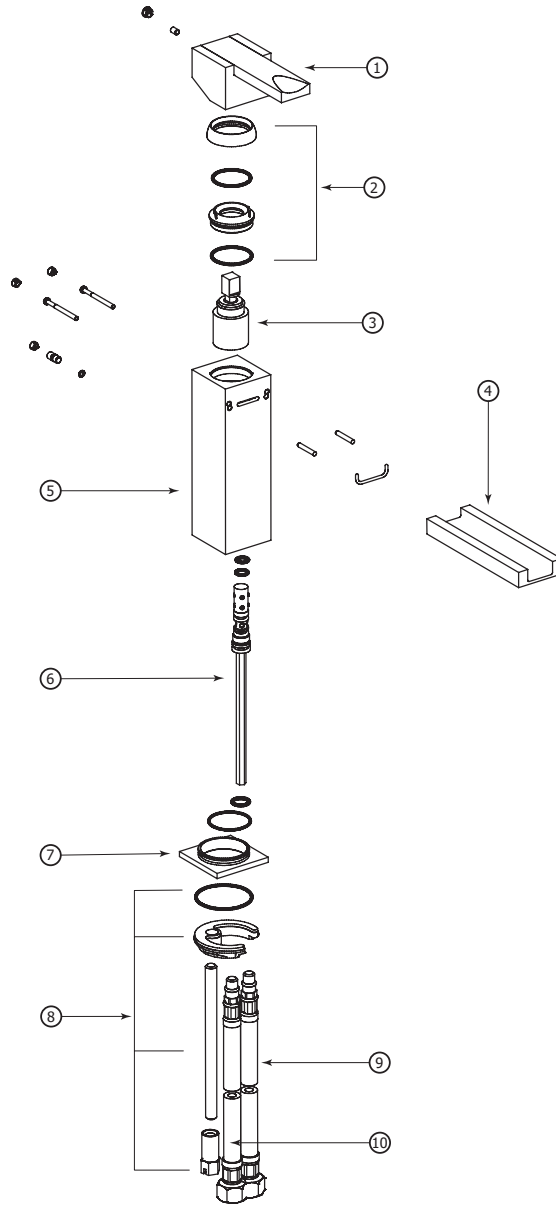
- Residential: Limited lifetime warranty to original purchaser
- Commercial: Two years warranty
- (Complete warranty available at www.aquabross.com/warranty)

SPECS AT LARGE

- Overall spout projection: 5 15/16"
- CC spout projection: 5 1/8"
- Total faucet height: 6 5/8"
- Flow rate: 2 gpm
- Mounting hole: 1 3/8"
- Counter depth: 1 3/8"



EXPLOSION PARTS



Item	Code	Description
1	ABFC77373	Handle
2	ABFC77398	Handle retainer kit
3	ABCA07799	Cartridge
4	ABFC77314	Spout
5	ABFC77365	Faucet body

Item	Code	Description
6	ABFP77386	Moulded connection rod
7	ABFC77394	Faucet base
8	ABFP77399	Retainer kit
9	ABFH07797	Cold water hose
10	ABFH07797	Hot water hose