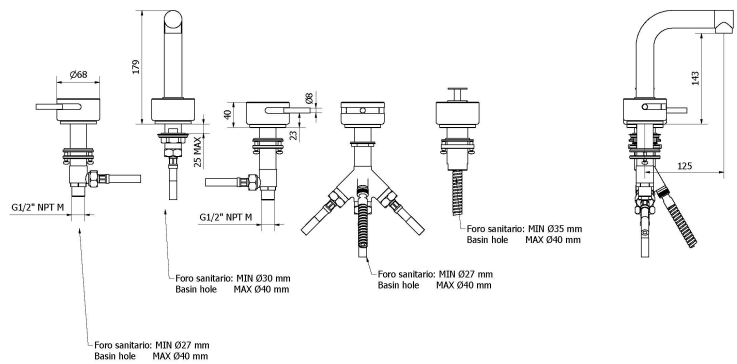


## UR06NM



### Product Description

#### Urban 5-piece deckmount tub filler with diverter and handshower

- solid brass construction
- crystal clear water flow
- hidden microphone handshower with 5' double-helix hose
- deckmount lever diverter
- 1/2" connection

height: 7"

overall projection: 7<sup>1/16</sup>"

flow rate: (tub filler) 6 gpm (handshower) 2.5 gpm

#### FINISHES

Standard

Polished chrome (pc)

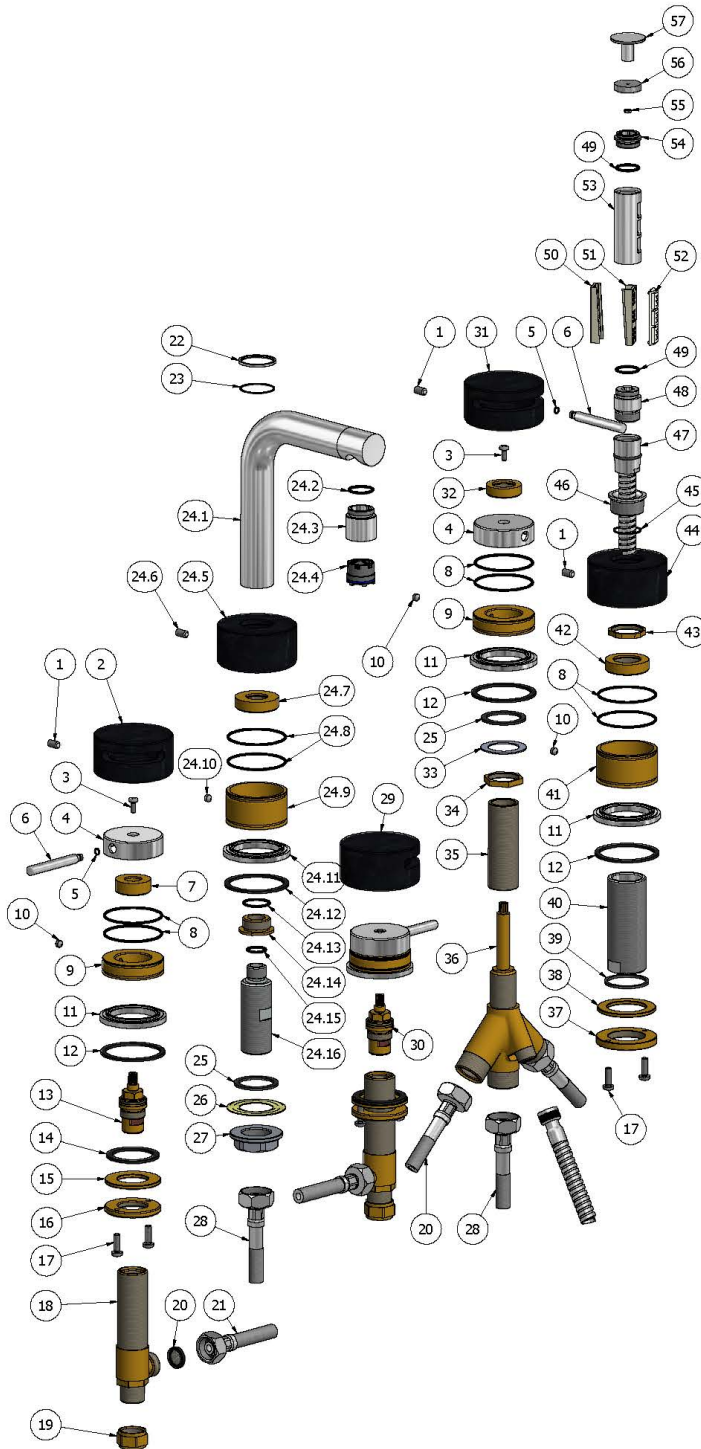
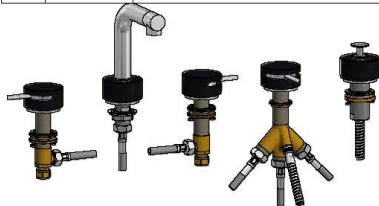
Custom

15 custom finishes available

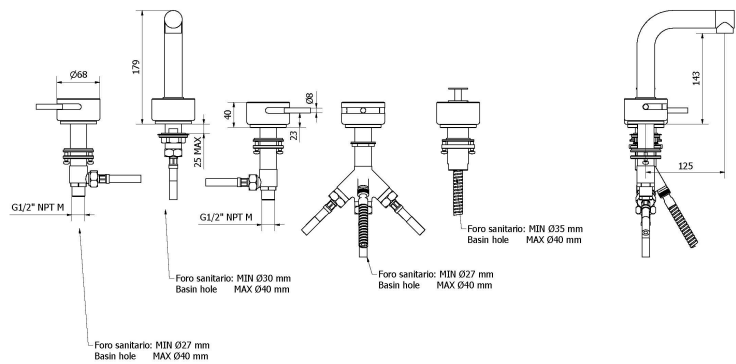
(ask your local Aquabross authorized dealer for details)

# AQUABRASS

Elenco parti			
ELEM	CODICE	NUMERO DI MAGAZZINO	QT
1	AQ0015105	Nylon grubscrow M6x10 taglio cacciavite p.p.	4
2	AQ0014849	Marble cover Ø68 H35 left	1
3	AQ0002160	Inox screw M4x10	3
4	AC0012459	Handle Ø51 H15.5	3
5	AQ0010327	OR 4x1 NBR 70 SH	3
6	AC0012453	Rod Ø8 M6 H63	3
7	AS0012451	Insert fo fixed Ø30.3 H11 M24x1	2
8	AQ0001450	OR 47.37x1.78 NBR 70 SH	8
9	AS0012454	Base for handle Ø52.4 H13	3
10	AQ0013370	Grubscrow M6x5 cone point	4
11	AC0012458	Base Ø57 H6.8 Ø39	4
12	AQ0011028	Flat gasket Ø55 Ø47 H2	4
13	AQ0002135	Ceramic headwork 90° left	1
14	AQ0008013	Rubber packing 45x35x2	2
15	AS0010697	Washer Ø48 x Ø26.5 x3	2
16	AS0010698	Ring nut W26x19	2
17	AQ0010358	Inox screw M5x16	6
18	AQ0009530	Clamping nut for 3 holes basin W26x19 G1/2" NPT	2
19	AQ0009565	Nut G1/2" NPT ogive seat	2
20	AQ0010360	Rubber packing 1/2" H2 with filter	2
21	AQ0009553	Inox hose G1/2" F G3/4" F L600	2
22	AC0012590	Ring Ø32 Ø28.4 H2	1
23	AQ0015102	OR 28x1 NBR 70 SH	1
24	CPMM396C	Preassembled spout out C-2	1
24.1	AC0012534	Welded spout Ø28 H16 L154	1
24.2	AQ0004640	OR 18.77x1.78 NBR 70 SH	1
24.3	AC0012535	Insert for aerator Ø26 M24x1 M22x1 H26	1
24.4	AQ0010587	Perlator cahcé M24x1 antispash (15.0100.0)	1
24.5	AQ0014928	Marble spout's cover Ø68 H35 Ø28.3	1
24.6	AQ0015105	Nylon grubscrow M6x10 taglio cacciavite p.p.	1
24.7	AS0012495	Inserto fissaggio Ø37.3 H9.5 G3/4"	1
24.8	AQ0001450	OR 47.37x1.78 NBR 70 SH	2
24.9	AS0012452	Base Ø52 H28	1
24.10	AQ0013370	Grubscrow M6x5 cone point	1
24.11	AC0012458	Base Ø57 H6.8 Ø39	1
24.12	AQ0011028	Flat gasket Ø55 Ø47 H2	1
24.13	AQ0001400	OR 20.35x1.78 NBR 70 SH	1
24.14	AS0012496	Reduction Ø30 M24x1 G3/8" H12	1
24.15	AQ0009818	OR 14x1.78 NBR 70 SH	1
24.16	AC0010971	Threaded fixing stem G3/4" G3/8" H76 with seat valve	1
25	AQ0009716	Rubber packing 39x30x2	2
26	AQ0000880	Inox steel flange 18/8 Ø50x29	1
27	AC0009900	Flange 3/4" H.13	1
28	AQ0012033	Inox hose G3/4" F G3/4" F L600	1
29	AQ0014852	Marble cover Ø68 H35 right	1
30	AQ0003930	Ceramic headwork 90° right	1
31	AQ0014930	Marble diverter's cover Ø68 H35 180°	1
32	AS0012497	Insert fo fixed Ø30.3 H8.5 16x19	1
33	AQ0001650	Inox washer 39 x 26.5 x 1	1
34	AS0002010	Clamping nut 26 x 19 H5 CH30	1
35	AQ0012031	Extension for diverter 26X19"	1
36	AQ0012030	Diverter 2 inlet / 2 outlet	1
37	AS0010658	Ring nut with screwed holes Ø52 M33x1.5 H6	1
38	AS0010659	Brass ring Ø50x35.5x3	1
39	AQ0010274	Rubber packing Ø39x33.5x2	1
40	AS0012498	Handshower support M33x1.5 H82	1
41	AS0012452	Base Ø52 H28	1
42	AS0012499	Insert for fixed Ø37.3 H9.5 M33x1.5	1
43	AS0012500	Hexagonal nut 38 M28x1.5 H4	1
44	AQ0014928	Marble spout's cover Ø68 H35 Ø28.3	1
45	AQ0009982	OR 22x1 NBR 70 SH	1
46	AC0012501	Insert Ø32 M28x1.5 H15	1
47	AQ0009555	Inox hose G3/8" F G1/2" cone 5	1
48	AC0010699	Connection piece for hose	1
49	AQ0004630	OR 17.16x1.78 NBR 70 SH	2
50	AQ0013936	ABS gasket support	1
51	AQ0013935	ABS gasket support	1
52	AQ0013934	Gasket	1
53	AC0011852	Hand shower body Ø32 H62	1
54	AS0010528	Connection piece for hand shower	1
55	AQ0014934	Hexagonal nut M3 DIN 934	1
56	AC0010529	Upper plug hand shower	1
57	AC0012509	Knob for hand shower Ø30 H20	1



## UR06BC



### Product Description

#### Urban 5-piece deckmount tub filler with diverter and handshower

- solid brass construction
- crystal clear water flow
- hidden microphone handshower with 5' double-helix hose
- deckmount lever diverter
- 1/2" connection

height: 7"

overall projection: 7<sup>1/16</sup>"

flow rate: (tub filler) 6 gpm (handshower) 2.5 gpm

#### FINISHES

Standard

Polished chrome (pc)

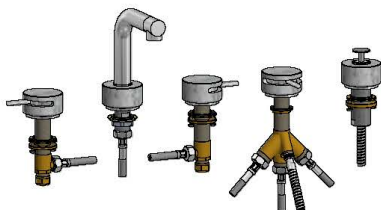
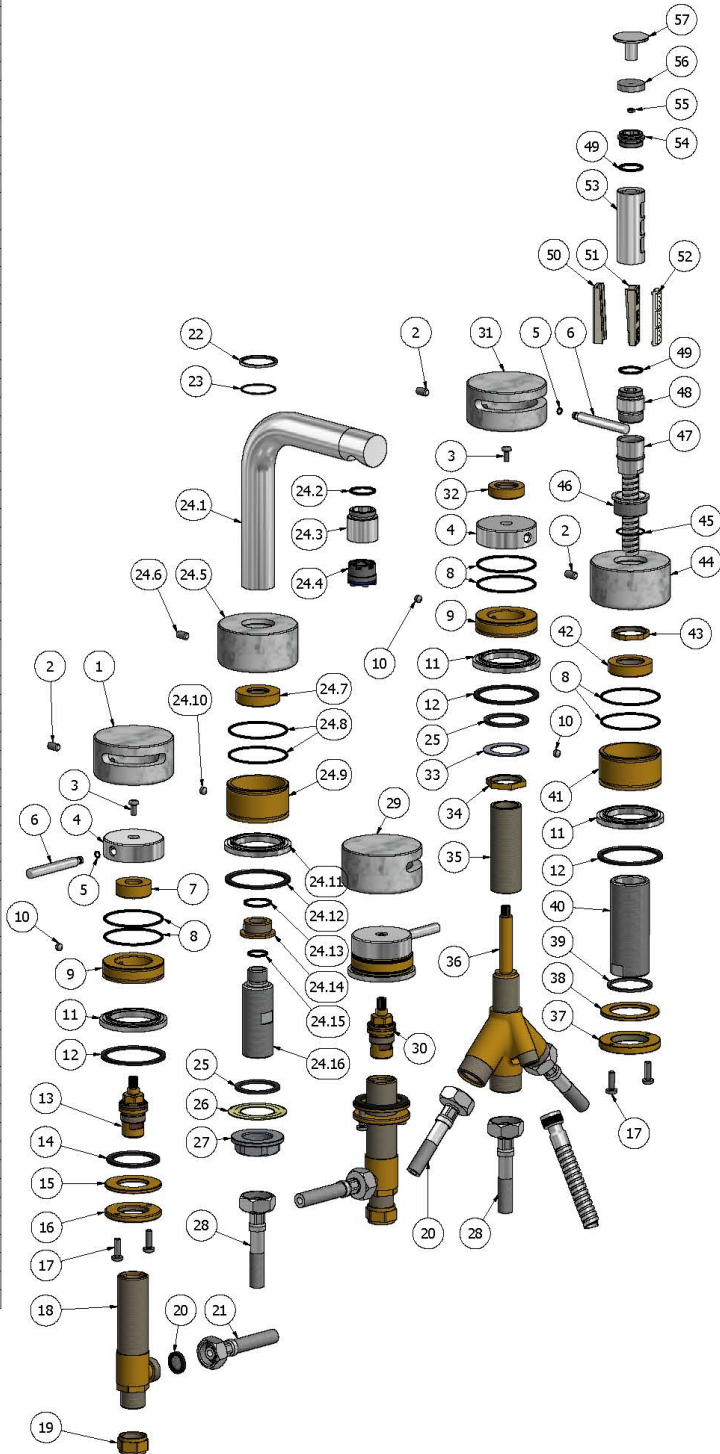
Custom

15 custom finishes available

(ask your local Aquabass authorized dealer for details)

# AQUABRASS

Elenco parti			
ELEM	CODICE	NUMERO DI MAGAZZINO	QT
1	AQ0014839	Barble cover Ø68 H35 left	1
2	AQ0015105	Nylon grubscrew M6x10 taglio cacciavite p.p.	4
3	AQ0002160	Inox screw M4x10	3
4	AC0012459	Handle Ø51 H15.5	3
5	AQ0010327	OR 4x1 NBR 70 SH	3
6	AC0012453	Rod Ø8 M6 H63	3
7	AS0012451	Insert fo fixed Ø30.3 H11 M24x1	2
8	AQ0001450	OR 47.37x1.78 NBR 70 SH	8
9	AS0012454	Base for handle Ø52.4 H13	3
10	AQ0013370	Grubscrew M6x5 cone point	4
11	AC0012458	Base Ø57 H6.8 Ø39	4
12	AQ0011028	Flat gasket Ø55 Ø47 H2	4
13	AQ0002135	Ceramic headwork 90° left	1
14	AQ0008013	Rubber packing 45x35x2	2
15	AS0010697	Washer Ø48 x Ø26.5 x3	2
16	AS0010698	Ring nut W26x19	2
17	AQ0010358	Inox screw M5x16	6
18	AQ0009530	Clamping nut for 3 holes basin W26x19 G1/2" NPT	2
19	AQ0009565	Nut G1/2" NPT ogive seat	2
20	AQ0010360	Rubber packing 1/2" H2 with filter	2
21	AQ0009553	Inox hose G1/2" F G3/4" F L600	2
22	AC0012590	Ring Ø32 Ø28.4 H2	1
23	AQ0015102	OR 28x1 NBR 70 SH	1
24	CPMM396C	Preassembled spout out C-1	1
24.1	AC0012534	Welded spout Ø28 H16 L154	1
24.2	AQ0004640	OR 18.77x1.78 NBR 70 SH	1
24.3	AC0012535	Insert for aerator Ø26 M24x1 M22x1 H26	1
24.4	AQ0010587	Perlator calcè M24x1 antispash (15.0100.0)	1
24.5	AQ0014927	Marble spout's cover Ø68 H35 Ø28.3	1
24.6	AQ0015105	Nylon grubscrew M6x10 taglio cacciavite p.p.	1
24.7	AS0012495	Inserto fissaggio Ø37.3 H9.5 G3/4"	1
24.8	AQ0001450	OR 47.37x1.78 NBR 70 SH	2
24.9	AS0012452	Base Ø52 H28	1
24.10	AQ0013370	Grubscrew M6x5 cone point	1
24.11	AC0012458	Base Ø57 H6.8 Ø39	1
24.12	AQ0011028	Flat gasket Ø55 Ø47 H2	1
24.13	AQ0001400	OR 20.35x1.78 NBR 70 SH	1
24.14	AS0012496	Reduction Ø30 M24x1 G3/8" H12	1
24.15	AQ0009818	OR 14x1.78 NBR 70 SH	1
24.16	AC0010971	Threaded fixing stem G3/4" G3/8" H76 with seat valve	1
25	AQ0009716	Rubber packing 38x30x2	2
26	AQ0000880	Inox steel flange 18/8 Ø50x29	1
27	AC0009900	Flange 3/4" H.13	1
28	AQ0012033	Inox hose G3/4" F G3/4" F L600	1
29	AQ0014842	Marble cover Ø68 H35 right	1
30	AQ0003930	Ceramic headwork 90° right	1
31	AQ0014929	Marble diverter's cover Ø68 H35 180°	1
32	AS0012497	Insert fo fixed Ø30.3 H8.5 16x19	1
33	AQ0001650	Inox washer 39 x 26.5 x 1	1
34	AS0002010	Clamping nut 26 x 19 H5 CH30	1
35	AQ0012031	Extension for diverter 26X19"	1
36	AQ0012030	Diverter 2 inlet / 2 outlet	1
37	AS0010658	Ring nut with screwed holes Ø52 M33x1.5 H6	1
38	AS0010659	Brass ring Ø50x35.5x3	1
39	AQ0010274	Rubber packing Ø38x33.5x2	1
40	AS0012498	Handshower support M33x1.5 H82	1
41	AS0012452	Base Ø52 H28	1
42	AS0012499	Insert for fixed Ø37.3 H9.5 M33x1.5	1
43	AS0012500	Hexagonal nut 38 M28x1.5 H4	1
44	AQ0014927	Marble spout's cover Ø68 H35 Ø28.3	1
45	AQ0009982	OR 22x1 NBR 70 SH	1
46	AC0012501	Insert Ø32 M28x1.5 H15	1
47	AQ0009555	Inox hose G3/8" F G1/2" cone	1
48	AC0010699	Connection piece for hose	1
49	AQ0004630	OR 17.16x1.78 NBR 70 SH	2
50	AQ0013936	ABS gasket support	1
51	AQ0013935	ABS gasket support	1
52	AQ0013934	Gasket	1
53	AC0011852	Hand shower body Ø32 H62	1
54	AS0010528	Connection piece for hand shower	1
55	AQ0014934	Hexagonal nut M3 DIN 934	1
56	AC0010529	Upper plug hand shower	1
57	AC0012509	Knob for hand shower Ø30 H20	1



**TECHNICAL DATA**

Minimum dynamic pressure: \_\_\_\_\_ 0.5 bar

Maximum operational pressure: \_\_\_\_\_ 5 bar

Recommended operational pressure: \_\_\_\_\_ 1-5 bar

It's recommended to use a pressure reducer in case of static pressure superior than 5 bar inside the waterpipe.

Maximum hot water temperature: \_\_\_\_\_ 80°C

**INSTALLATION, MAINTENANCE AND PRELIMINARY CHECKING PROCEDURE**

In order to get your device work correctly and fine in time, must ensure compliance with the mode of installation and maintenance described in this booklet. Relying on a qualified plumber. Make sure that the system is free from all debris and impurities existing.

**INSTALLATION**

**FIG. 1:** Make two holes MIN Ø27 mm - 1.06 in, MAX Ø33 mm - 1.3 in, into the support base in order to put the handles. Operating from the bottom of the base, insert the sidebody valve and the fixing set. From the upper side, position the OR and the covering support. Screw the reduction component on the sidebody valve. Insert the handle by using the screw verifying the right opening/closing position. Lay the sidebody valve into the support and block it with the grub screw. Place the fixing kit.

**Fig. 2:** Insert the marble cover on the support, fixing it with the grub screw. Screw the lateral lever and verify the correct movement.

**Fig. 3:** Connect the flexible to the sidebody valve.

Repeat these steps in order to mount the second handle.

**Fig. 4:** Make a Ø35mm - 1.37 in hole on the support base. From the upper side of it, insert the stem of the spout into the hole just created, positioning the OR. Stabilize the spout by using the proper fixing kit.

**Fig. 5:** Link the flexible to the spout.

**Fig. 6:** Make a MIN Ø35mm - 1.37 MAX Ø40mm - 1.57 in hole on the support base. From the upper side of it, insert the stem of the support into the hole just created, positioning the gasket for the endurance. Stabilize the support by using the proper fixing kit. Insert the flexible into the support after it's screwed to the hand shower.

**Fig. 7:** Make a Ø30mm - 1.18 in, MAX Ø40 mm - 1.57 in hole on the support base. From the lower side of it, insert the diverter and the fixing kit. On the upper side, place the OR, the little base and the covering support. Screw on the diverter the reduction metallic component. By using the screw, insert the handle verifying the correct opening/closing position. Lay the diverter into the support and block it by using the grub screw. Place the fixing kit.

**Fig. 8:** Insert the marble cover on the support, fixing it with the grub screw. Screw the lateral lever and verify the correct movement.

**Fig. 9:** Connect the flexibles to the diverter as in frame on the image. Connect the sidebody valves to the hydric system.

After connecting the body to the system, turn on the stopcocks and check that the mixer tap unit operates correctly. Keep the tap pressurised for a few minutes checking eventual leaks.

Fig. 1

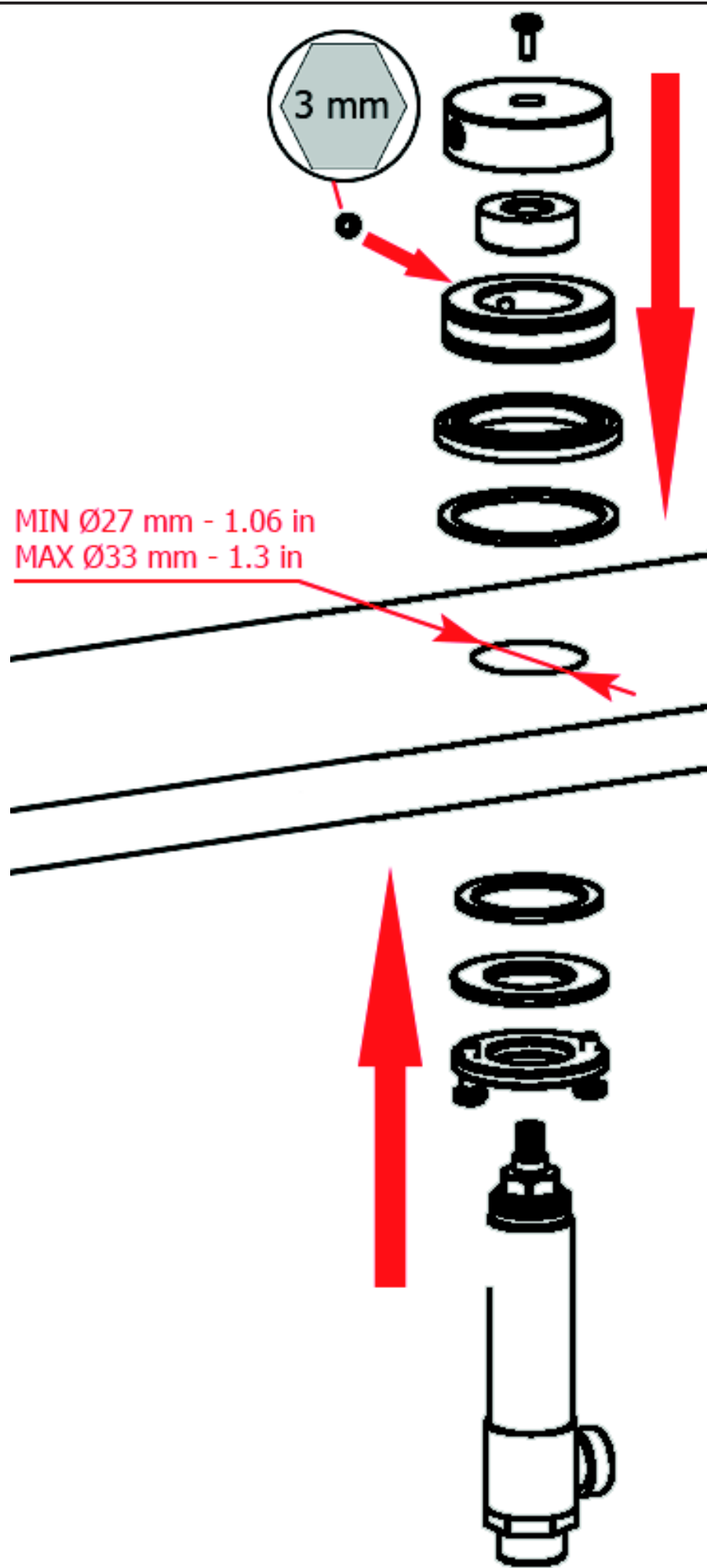


Fig. 2

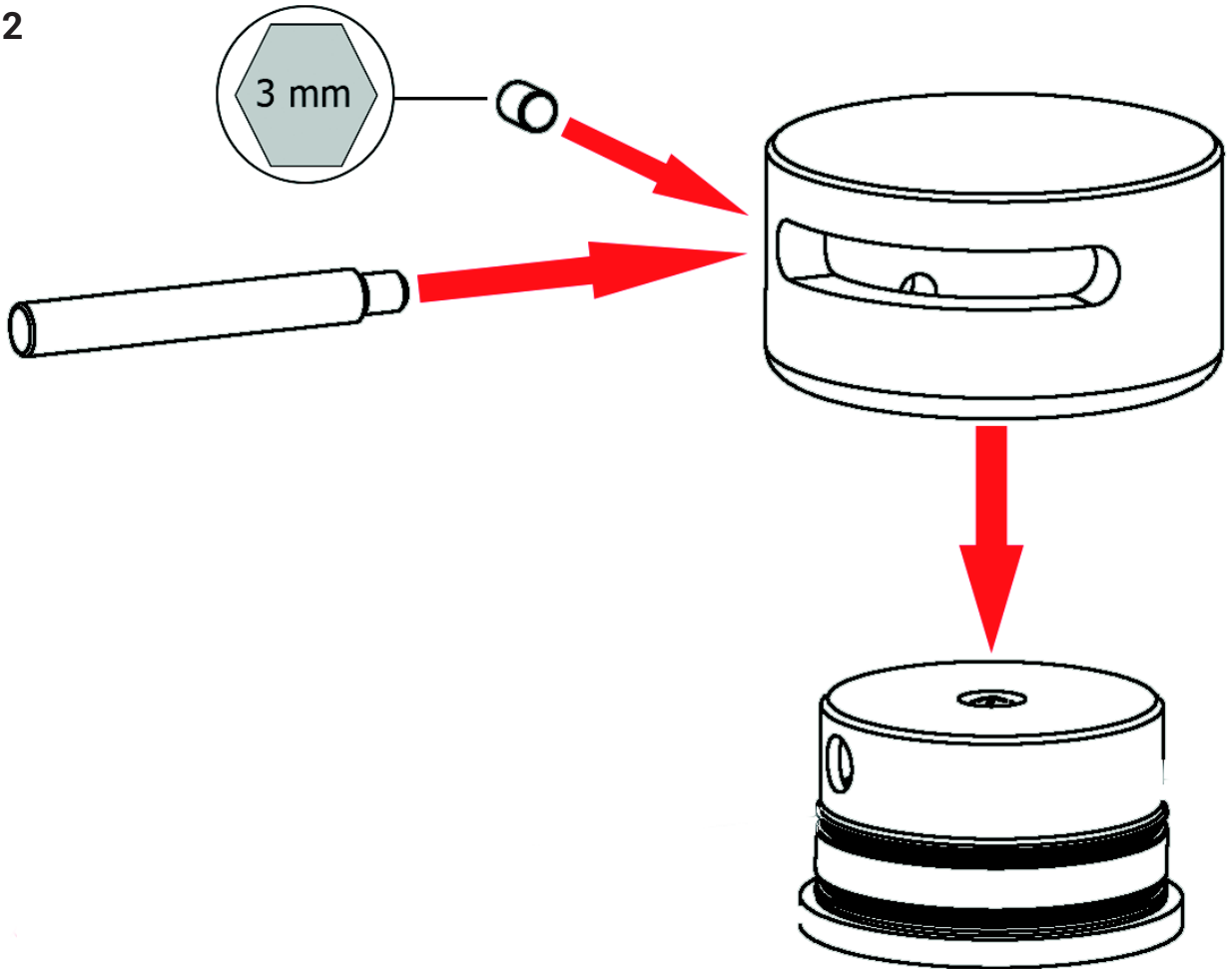


Fig. 3

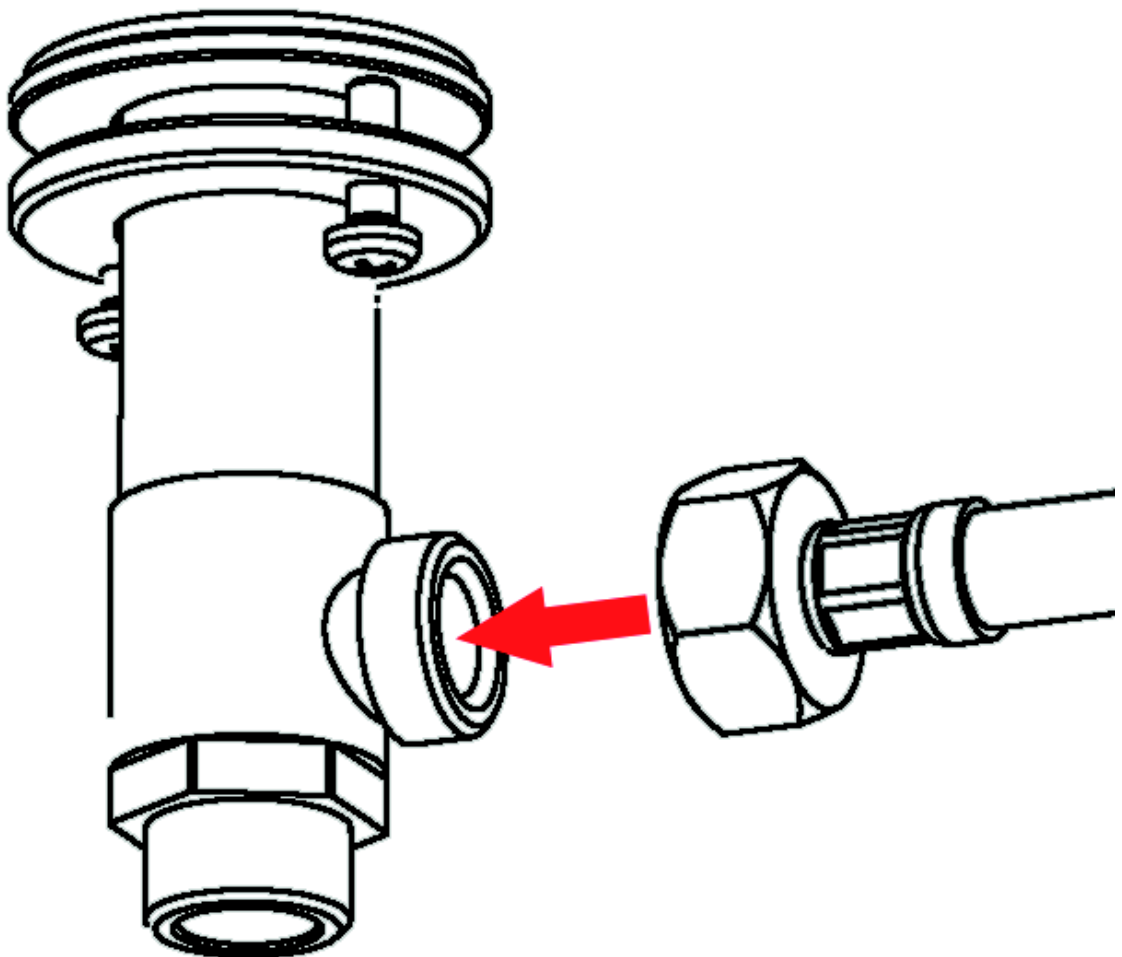


Fig. 4

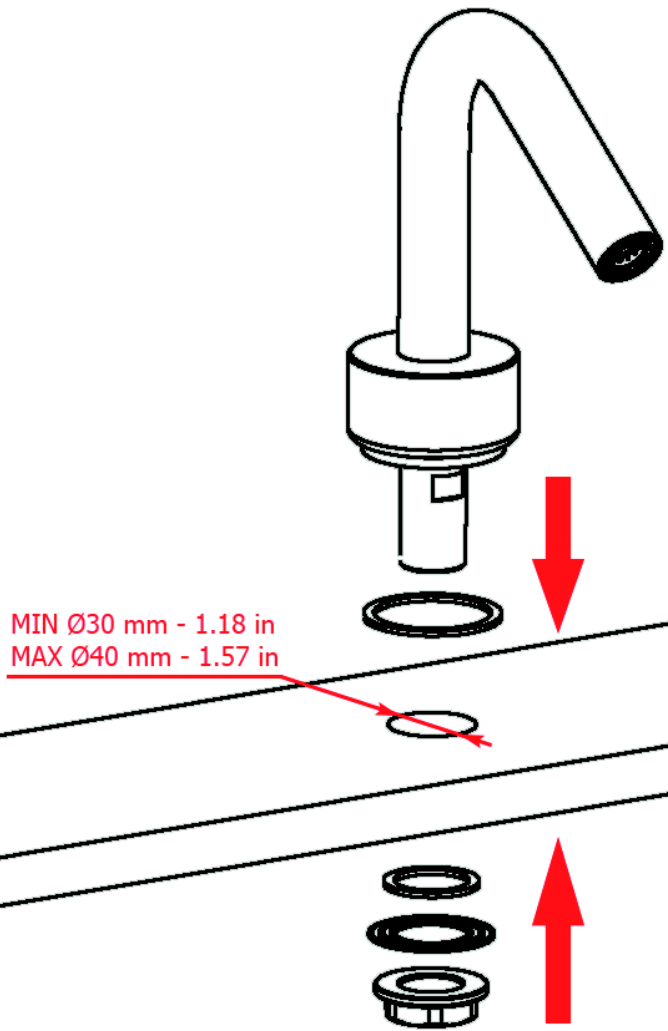


Fig. 5

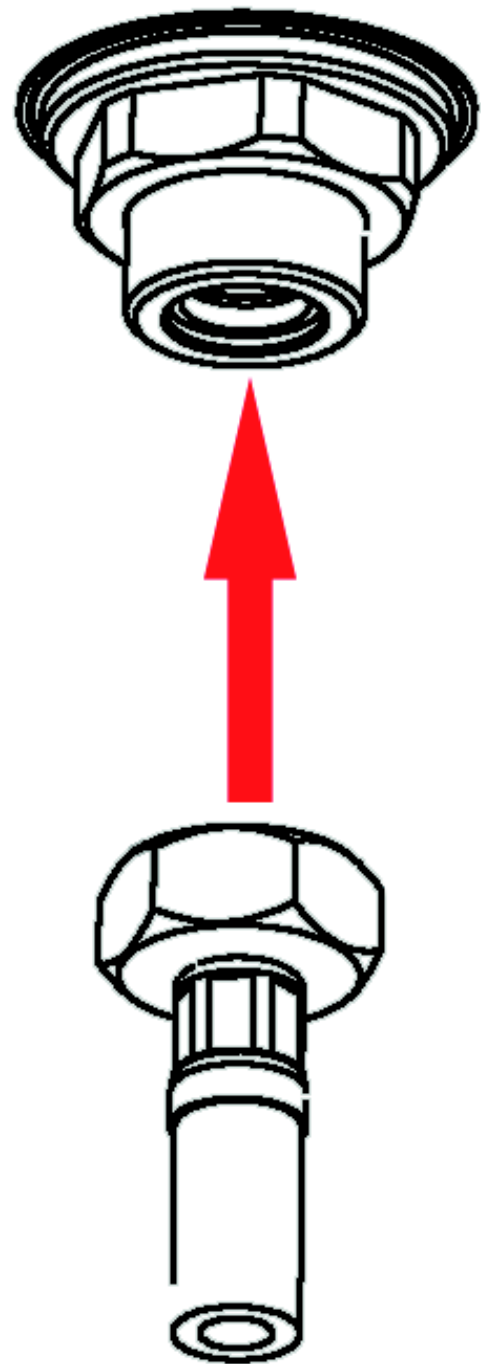




Fig. 6

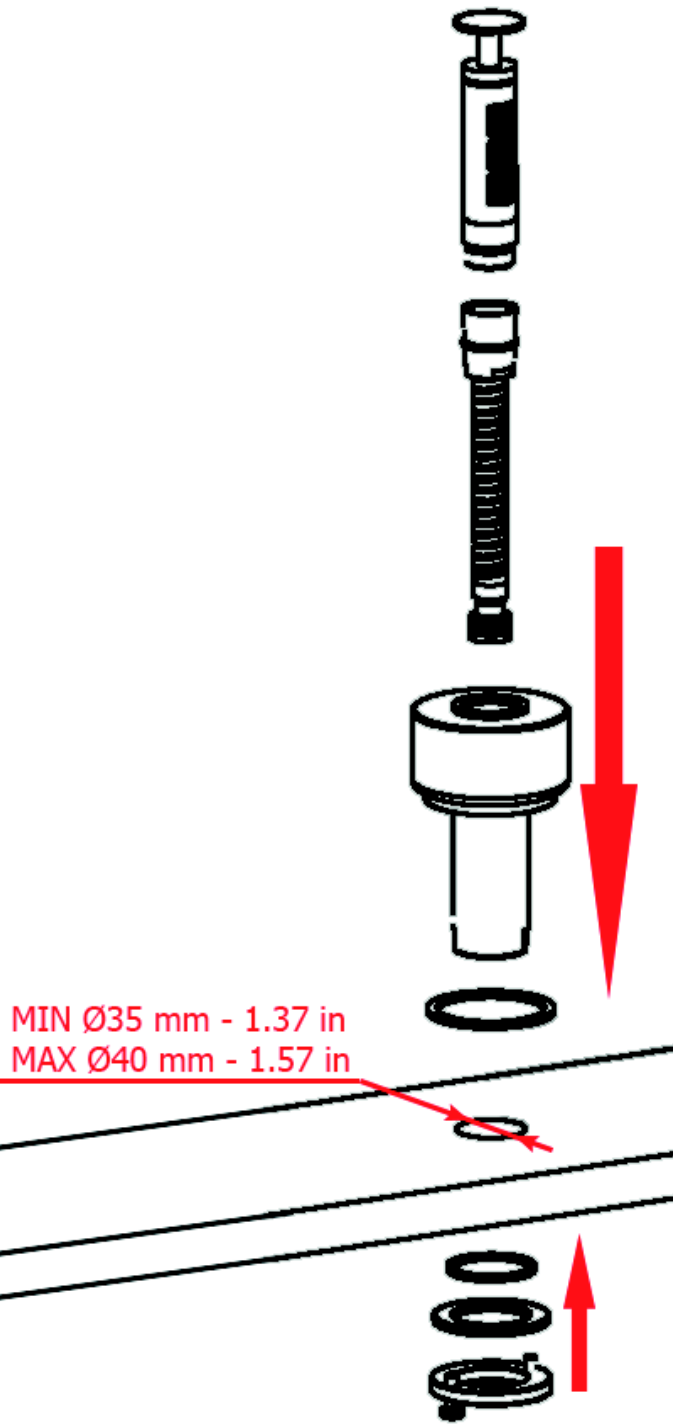
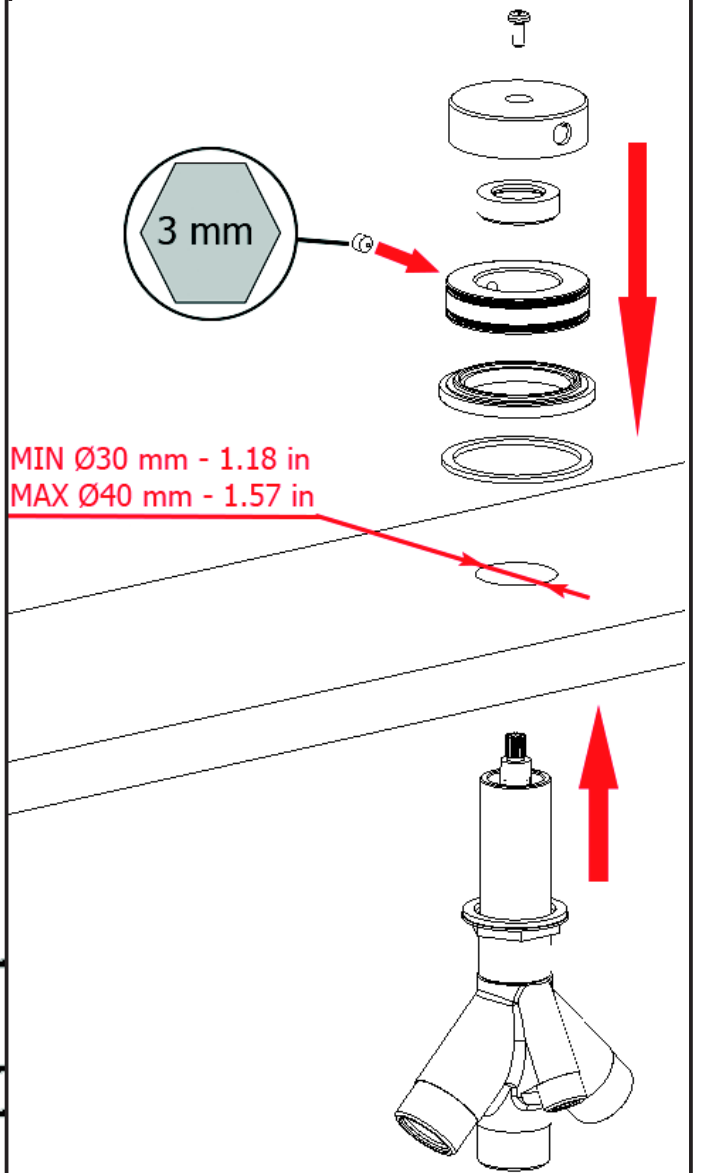


Fig. 7



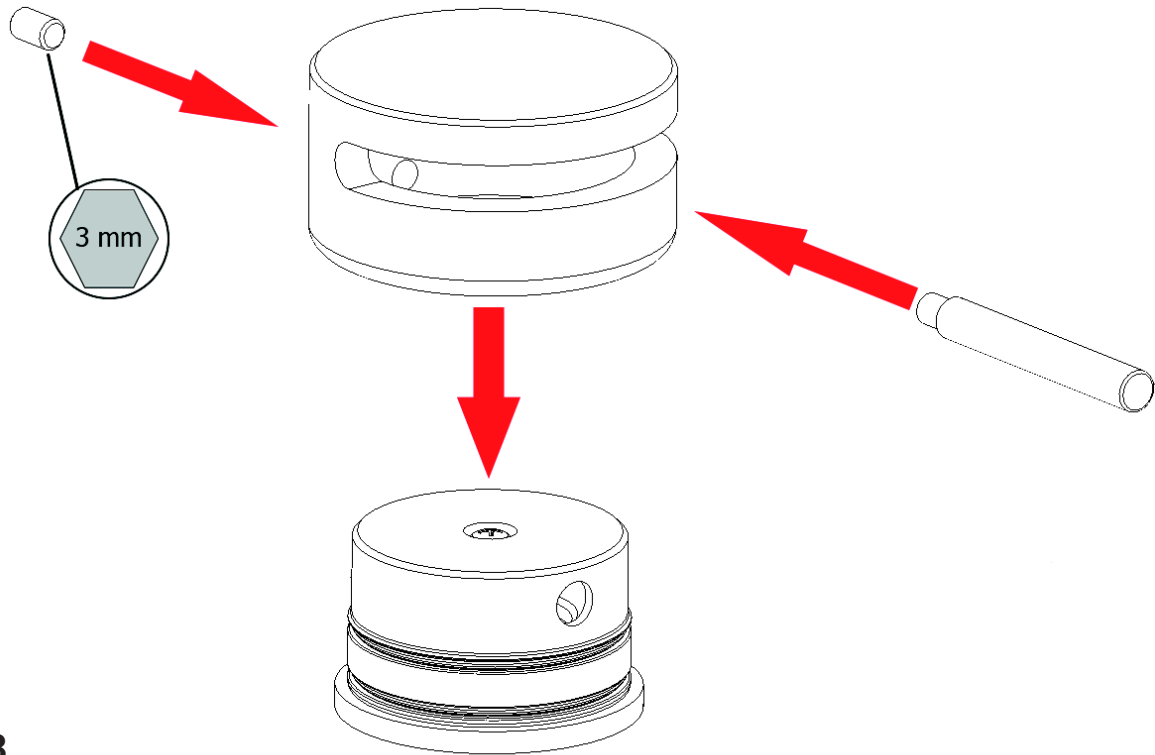
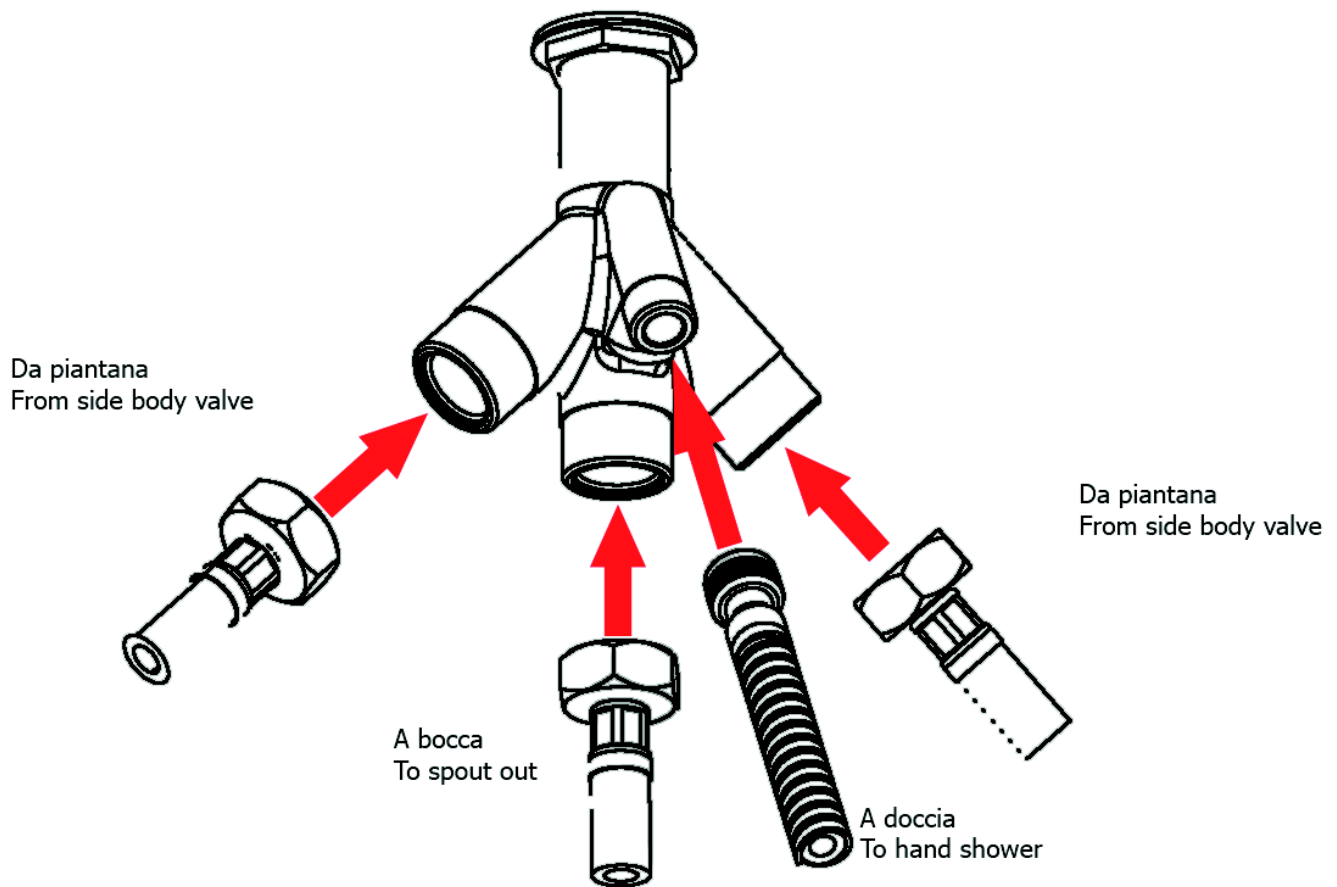
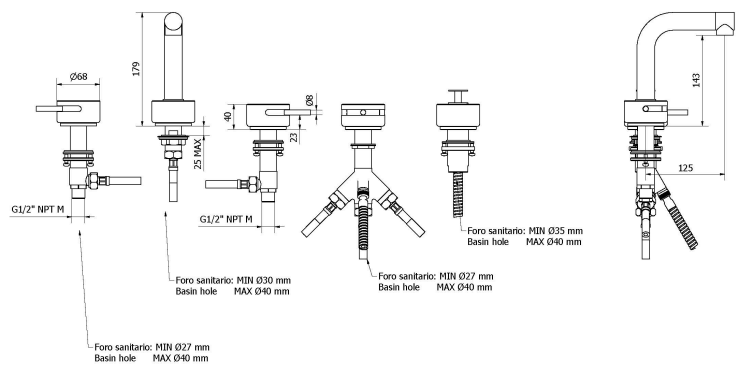


Fig. 8

Fig. 9



## UR06NM



### Description du produit

#### Robinet de bain 5 mcx avec déviateur et douchette Urban

- laiton massif
- jet d'eau cristallin
- douchette microphone dissimulée avec boyau de 5' tressé rétractable
- déviateur en levier
- raccordement 1/2"

hauteur: 7"

projection totale: 7<sup>1/16</sup>"

débit: (bec) 6 gpm (douchette) 2.5 gpm

#### **FINIS**

Standard

Chrome poli (pc)

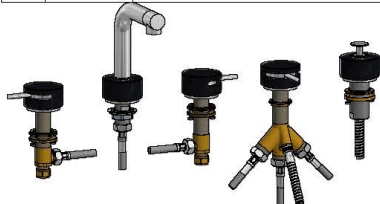
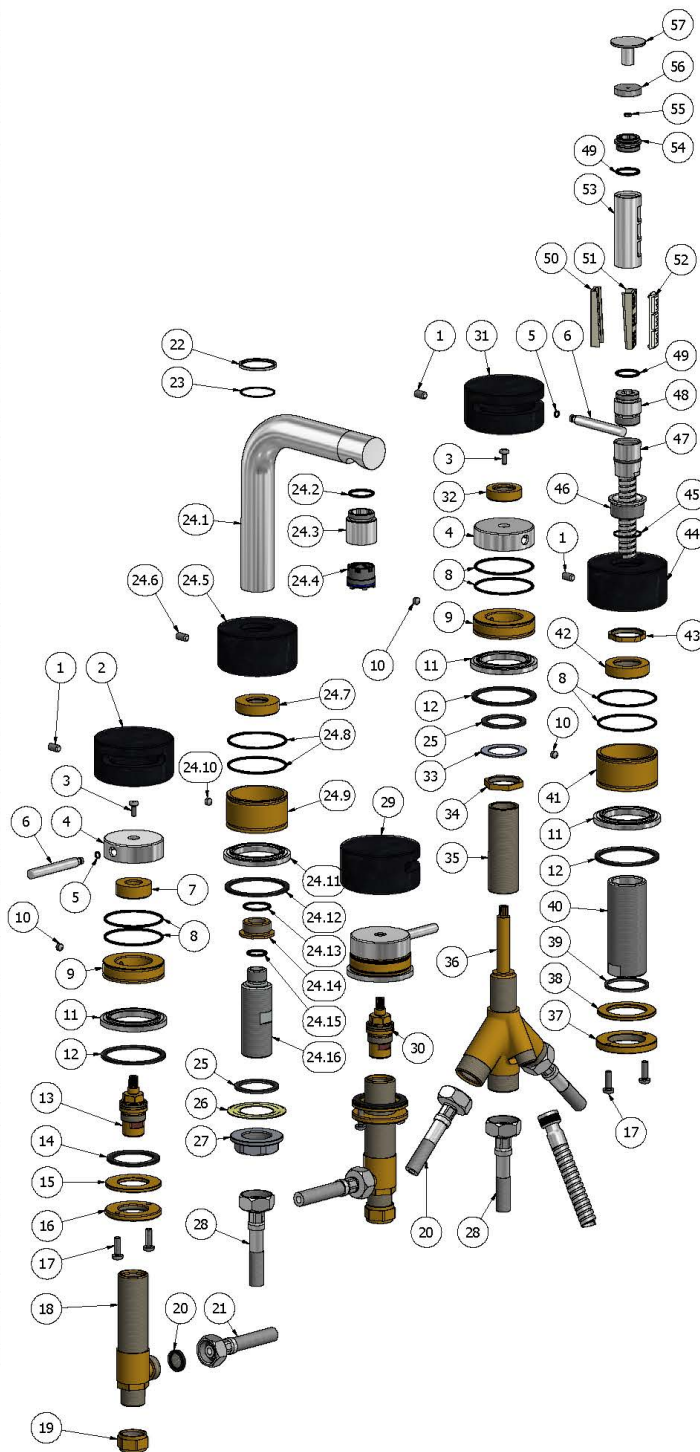
Sur mesure

15 finis sur mesure disponible

(pour plus d'information, demander conseil à votre détaillant)

# AQUABRASS

Elenco parti			
ELEM	CODICE	NUMERO DI MAGAZZINO	QT
1	AQ0015105	Nylon grubscREW M6x10 taglio cacciavite p.p.	4
2	AQ0014849	Marble cover Ø68 H35 left	1
3	AQ0002160	Inox screw M4x10	3
4	AC0012459	Handle Ø51 H15.5	3
5	AQ0010327	OR 4x1 NBR 70 SH	3
6	AC0012453	Rod Ø8 M6 H63	3
7	AS0012451	Insert fo fixed Ø30.3 H11 M24x1	2
8	AQ0001450	OR 47.37x1.78 NBR 70 SH	8
9	AS0012454	Base for handle Ø52.4 H13	3
10	AQ0013370	GrubscREW M6x5 cone point	4
11	AC0012458	Base Ø57 H6.8 Ø39	4
12	AQ0011028	Flat gasket Ø55 Ø47 H2	4
13	AQ0002135	Ceramic headwork 90° left	1
14	AQ0008013	Rubber packing 45x35x2	2
15	AS0010697	Washer Ø48 x Ø26.5 x3	2
16	AS0010698	Ring nut W26x19	2
17	AQ0010358	Inox screw M5x16	6
18	AQ0009530	Clamping nut for 3 holes basin W26x19 G1/2" NPT	2
19	AQ0009565	Nut G1/2" NPT ogive seat	2
20	AQ0010360	Rubber packing 1/2" H2 with filter	2
21	AQ0009553	Inox hose G1/2" F G3/4" F L600	2
22	AC0012590	Ring Ø32 Ø28.4 H2	1
23	AQ0015102	OR 28x1 NBR 70 SH	1
24	CPMM396C	Preassembled spout out C-2	1
24.1	AC0012534	Welded spout Ø28 H16 L154	1
24.2	AQ0004640	OR 18.77x1.78 NBR 70 SH	1
24.3	AC0012535	Insert for aerator Ø26 M24x1 M22x1 H26	1
24.4	AQ0010587	Perlator cahcé M24x1 antispash (15.0100.0)	1
24.5	AQ0014928	Marble spout's cover Ø68 H35 Ø28.3	1
24.6	AQ0015105	Nylon grubscREW M6x10 taglio cacciavite p.p.	1
24.7	AS0012495	Inserto fissaggio Ø37.3 H9.5 G3/4"	1
24.8	AQ0001450	OR 47.37x1.78 NBR 70 SH	2
24.9	AS0012452	Base Ø52 H28	1
24.10	AQ0013370	GrubscREW M6x5 cone point	1
24.11	AC0012458	Base Ø57 H6.8 Ø39	1
24.12	AQ0011028	Flat gasket Ø55 Ø47 H2	1
24.13	AQ0001400	OR 20.35x1.78 NBR 70 SH	1
24.14	AS0012496	Reduction Ø30 M24x1 G3/8" H12	1
24.15	AQ0009818	OR 14x1.78 NBR 70 SH	1
24.16	AC0010971	Threaded fixing stem G3/4" G3/8" H76 with seat valve	1
25	AQ0009716	Rubber packing 38x30x2	2
26	AQ0000880	Inox steel flange 18/8 Ø50x29	1
27	AC0009900	Flange 3/4" H.13	1
28	AQ0012033	Inox hose G3/4" F G3/4" F L600	1
29	AQ0014852	Marble cover Ø68 H35 right	1
30	AQ0003930	Ceramic headwork 90° right	1
31	AQ0014930	Marble diverter's cover Ø68 H35 180°	1
32	AS0012497	Insert fo fixed Ø30.3 H8.5 16x19	1
33	AQ0001650	Inox washer 39 x 26.5 x 1	1
34	AS0002010	Clamping nut 26 x 19 H5 CH30	1
35	AQ0012031	Extension for diverter 26x19"	1
36	AQ0012030	Diverter 2 inlet / 2 outlet	1
37	AS0010658	Ring nut with screwed holes Ø52 M33x1.5 H6	1
38	AS0010659	Brass ring Ø50x35.5x3	1
39	AQ0010274	Rubber packing Ø38x33.5x2	1
40	AS0012498	Handshower support M33x1.5 H82	1
41	AS0012452	Base Ø52 H28	1
42	AS0012499	Insert for fixed Ø37.3 H9.5 M33x1.5	1
43	AS0012500	Hexagonal nut 38 M28x1.5 H4	1
44	AQ0014928	Marble spout's cover Ø68 H35 Ø28.3	1
45	AQ0009982	OR 22x1 NBR 70 SH	1
46	AC0012501	Insert Ø32 M28x1.5 H15	1
47	AQ0009555	Inox hose G3/8" F G1/2" cone 5	1
48	AC0010699	Connection piece for hose	1
49	AQ0004630	OR 17.16x1.78 NBR 70 SH	2
50	AQ0013936	ABS gasket support	1
51	AQ0013935	ABS gasket support	1
52	AQ0013934	Gasket	1
53	AC0011852	Hand shower body Ø32 H62	1
54	AS0010528	Connection piece for hand shower	1
55	AQ0014934	Hexagonal nut M3 DIN 934	1
56	AC0010529	Upper plug hand shower	1
57	AC0012509	Knob for hand shower Ø30 H20	1

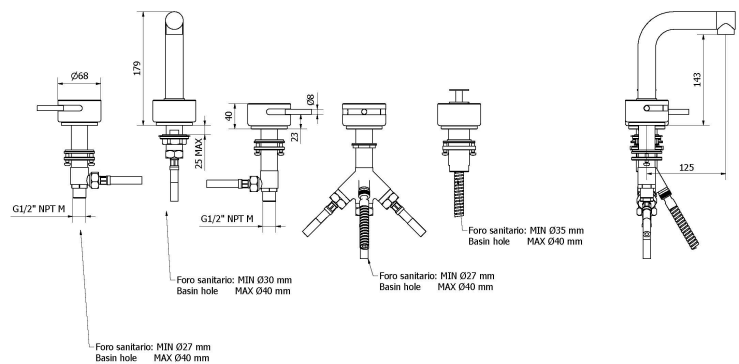


Aquabrax ne peut pas être tenu responsable d'éventuelles omissions ou erreurs techniques ou typographiques contenues dans ce document et se réserve le droit d'y faire des changements sans préavis.

Dernière révision : 07/11/2016

aquabrax.com

## UR06BC



### Description du produit

#### Robinet de bain 5 mcx avec déviateur et douchette Urban

- laiton massif
- jet d'eau cristallin
- douchette microphone dissimulée avec boyau de 5' tressé rétractable
- déviateur en levier
- raccordement 1/2"

hauteur: 7"

projection totale: 7<sup>1/16</sup>"

débit: (bec) 6 gpm (douchette) 2.5 gpm

#### **FINIS**

Standard

Chrome poli (pc)

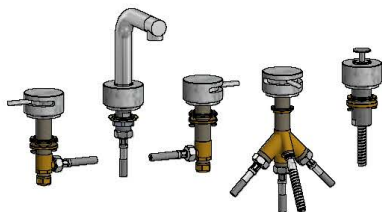
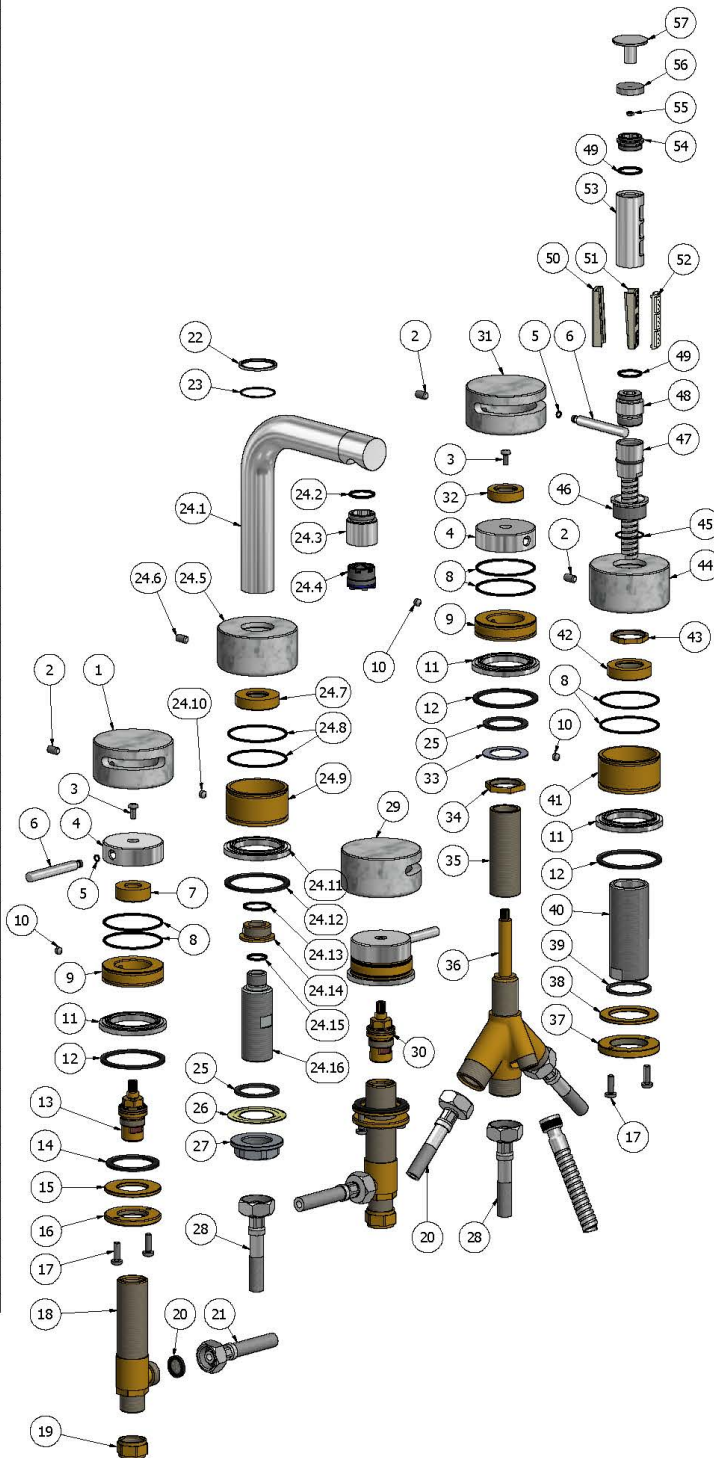
Sur mesure

15 finis sur mesure disponible

(pour plus d'information, demander conseil à votre détaillant)

# AQUABRASS

Elenco parti			
ELEM	CODICE	NUMERO DI MAGAZZINO	QT
1	AQ0014839	Barble cover Ø68 H35 left	1
2	AQ0015105	Nylon grubscrew M6x10 taglio cacciavite p.p.	4
3	AQ0002160	Inox screw M4x10	3
4	AC0012459	Handle Ø51 H15.5	3
5	AQ0010327	OR 4x1 NBR 70 SH	3
6	AC0012453	Rod Ø8 M6 H63	3
7	AS0012451	Insert fo fixed Ø30.3 H11 M24x1	2
8	AQ0001450	OR 47.37x1.78 NBR 70 SH	8
9	AS0012454	Base for handle Ø52.4 H13	3
10	AQ0013370	Grubscrew M6x5 cone point	4
11	AC0012458	Base Ø57 H6.8 Ø39	4
12	AQ0011028	Flat gasket Ø55 Ø47 H2	4
13	AQ0002135	Ceramic headwork 90° left	1
14	AQ0008013	Rubber packing 45x35x2	2
15	AS0010697	Washer Ø48 x Ø26.5 x3	2
16	AS0010698	Ring nut W26x19	2
17	AQ0010358	Inox screw M5x16	6
18	AQ0009530	Clamping nut for 3 holes basin W26x19 G1/2" NPT	2
19	AQ0009565	Nut G1/2" NPT ogive seat	2
20	AQ0010360	Rubber packing 1/2" H2 with filter	2
21	AQ0009553	Inox hose G1/2" F G3/4" F L600	2
22	AC0012590	Ring Ø32 Ø28.4 H2	1
23	AQ0015102	OR 28x1 NBR 70 SH	1
24	CPMM396C	Preassembled spout out C-1	1
24.1	AC0012534	Welded spout Ø28 H16 L154	1
24.2	AQ0004640	OR 18.77x1.78 NBR 70 SH	1
24.3	AC0012535	Insert for aerator Ø26 M24x1 M22x1 H26	1
24.4	AQ0010587	Perlator cahcè M24x1 antispash (15.0100.0)	1
24.5	AQ0014927	Marble spout's cover Ø68 H35 Ø28.3	1
24.6	AQ0015105	Nylon grubscrew M6x10 taglio cacciavite p.p.	1
24.7	AS0012495	Inserto fissaggio Ø37.3 H9.5 G3/4"	1
24.8	AQ0001450	OR 47.37x1.78 NBR 70 SH	2
24.9	AS0012452	Base Ø52 H28	1
24.10	AQ0013370	Grubscrew M6x5 cone point	1
24.11	AC0012458	Base Ø57 H6.8 Ø39	1
24.12	AQ0011028	Flat gasket Ø55 Ø47 H2	1
24.13	AQ0001400	OR 20.35x1.78 NBR 70 SH	1
24.14	AS0012496	Reduction Ø30 M24x1 G3/8" H12	1
24.15	AQ0009818	OR 14x1.78 NBR 70 SH	1
24.16	AC0010971	Threaded fixing stem G3/4" G3/8" H76 with seat valve	1
25	AQ0009716	Rubber packing 38x30x2	2
26	AQ0000890	Inox steel flange 18/8 Ø50x29	1
27	AC0000900	Flange 3/4" H.13	1
28	AQ0012033	Inox hose G3/4" F G3/4" F L600	1
29	AQ0014842	Marble cover Ø68 H35 right	1
30	AQ0003930	Ceramic headwork 90° right	1
31	AQ0014929	Marble diverter's cover Ø68 H35 180°	1
32	AS0012497	Insert fo fixed Ø30.3 H8.5 16x19	1
33	AQ0001650	Inox washer 39 x 26.5 x 1	1
34	AS0002010	Clamping nut 26 x 19 H5 CH30	1
35	AQ0012031	Extension for diverter 26X19"	1
36	AQ0012030	Diverter 2 inlet / 2 outlet	1
37	AS0010658	Ring nut with screwed holes Ø52 M33x1.5 H6	1
38	AS0010659	Brass ring Ø50x35.5x3	1
39	AQ0010274	Rubber packing Ø38x33.5x2	1
40	AS0012498	Handshower support M33x1.5 H82	1
41	AS0012452	Base Ø52 H28	1
42	AS0012499	Insert for fixed Ø37.3 H9.5 M33x1.5	1
43	AS0012500	Hexagonal nut 38 M28x1.5 H4	1
44	AQ0014927	Marble spout's cover Ø68 H35 Ø28.3	1
45	AQ0009982	OR 22x1 NBR 70 SH	1
46	AC0012501	Insert Ø32 M28x1.5 H15	1
47	AQ0009555	Inox hose G3/8" F G1/2" cone	1
48	AC0010699	Connection piece for hose	1
49	AQ0004630	OR 17.16x1.78 NBR 70 SH	2
50	AQ0013936	ABS gasket support	1
51	AQ0013935	ABS gasket support	1
52	AQ0013934	Gasket	1
53	AC0011852	Hand shower body Ø32 H62	1
54	AS0010528	Connection piece for hand shower	1
55	AQ0014934	Hexagonal nut M3 DIN 934	1
56	AC0010529	Upper plug hand shower	1
57	AC0012509	Knob for hand shower Ø30 H20	1



Aquabrax ne peut pas être tenu responsable d'éventuelles omissions ou erreurs techniques ou typographiques contenues dans ce document et se réserve le droit d'y faire des changements sans préavis.

Dernière révision : 07/11/2016

aquabrax.com

**CARACTERISTIQUES TECHNIQUES**

Pression dynamique minimale : \_\_\_\_\_ 0.5 bar

Pression de service maximale : \_\_\_\_\_ 5 bar

Pression de service recommandée : \_\_\_\_\_ 1-5 bar

Il est recommandé d'utiliser un réducteur de pression en cas,  
dans le système hydraulique, il y a des pressions statiques supérieures à 5 bar.

Température maximum d'eau chaude : \_\_\_\_\_ 80°C

**INSTALLATION, D'ENTRETIEN ET VÉRIFICATIONS PRÉLIMINAIRES**

Pour assurer le bon fonctionnement du produit et il puisse durer dans le temps, il est nécessaire qu'ils soient remplies les procédures de installation et l'entretien définies dans la brochure. S'appuyer sur un plombier qualifié. S'assures que les tuyauteries soient nettoyées par toutes saletés et résidus.

**INSTALLATION**

**Fig. 1:** Percez deux trous dans le plan pour les poignées MIN Ø27 mm - 1.06 in, MAX Ø33 mm - 1.3 in. Au-dessous du plan, insérer le robinet avec son trousse de fixation. Au-dessus du plan, placer le joint torique, l'embase et le support par la couverture en marbre. Visser l'adaptateur du raccord dans le robinet. Insérer la poignée en le fixant avec la vis, en vérifiant le correct emplacement d'ouverture et clôture. Placer le robinet dans le support et verrouiller tout l'ensemble avec la petite vis. Placer la trousse de fixation.

**Fig. 2:** Insérer la couverture en marbre dans le support en le fixant avec la petite vis. Visser le levier sur la poignée et vérifier le correct fonctionnement.

**Fig. 3:** Brancher le flexible au robinet. Refaire la même procédure pour la deuxième poignée.

**Fig. 4:** Percer un trou dans le plan pour le bec Ø35 mm - 1.37 in. Au-dessous du plan, insérer dans le trou, la tige du bec, en fixant le joint torique d'étanchéité. Fixer le bec avec son trousse de fixation.

**Fig. 5:** Brancher le flexible au bec.

**Fig. 6:** Percer un trou dans le plan pour le support de la douchette extractible MIN Ø35 mm - 1.37 in, MAX Ø40 mm - 1.57 in. Au-dessous du plan, insérer dans le trou, la tige du support, en fixant le joint torique d'étanchéité. Fixer le support avec son trousse de fixation. Insérer le flexible dans le support, après que qu'il a été vissé à la douchette.

**Fig. 7:** Percer un trou dans le plan Ø30 mm- 1.18 in, MAX Ø40 mm - 1.57 in. Au-dessous du plan, insérer dans le trou l'inverseur avec son trousse de fixation. Au-dessus du plan, placer le joint torique, l'embase et le support par la couverture en marbre. Visser l'adaptateur du raccord dans l'inverseur. Insérer la poignée en le fixant avec la vis, en vérifiant le correct emplacement d'ouverture et clôture. Placer l'inverseur dans le support et verrouiller tout l'ensemble avec la petite vis. Placer la trousse de fixation.

**Fig. 8:** Insérer la couverture en marbre dans le support en le fixant avec la petite vis. Visser le levier sur la poignée et vérifier le correct fonctionnement.

**Fig. 9:** Brancher les flexibles à l'inverseur en suivant le croquis. Brancher les robinets à l'alimentation en eau.

Après le raccordement du mélangeur à l'alimentation en eau, ouvrir les robinets d'arrêts pour vérifier le bon fonctionnement.

Laisser le mélangeur par un mise en pression quelques minutes à vérifier l'absence de fuites.

## **CLEANING**

Diversify the cleaning of the chromed parts from the marble ones.

Due to the fact that marble is precious and fragile, we suggest to cover it up with a towel during the cleaning process of the metallic parts.

### Chromed metallic parts

In order to obtain a correct cleanliness, exclusively wash them with soap and water, rewash and dry them with a soft towel and deerskin. Avoid the usage of alcohol, solvents, solid or liquid detergents which contain corrosive or acidic substances, abrasive sponges, swab with metallic strings because they could irreversibly compromise the surfaces.

### Marble parts

Use water with a low alcohol concentration to clean the marble parts, otherwise use a soap with a neutral PH. Avoid the usage of all the acidic substances. Do not use lemon juice, citric acid, wine vinegar, apple vinegar, aggressive detergents and other solutions which may result acidic or corrosive. **DON'T LET THE MARBLE PARTS GET IN TOUCH WITH ANTI-LIMESCALE PRODUCTS** due to the fact that marble is a calcareous rock and it would be corroded. Avoid abrasive products and all the things that could scratch the marble and wreck it irreversibly.

**THE USAGE OF THIS KIND OF DETERGNETS DURING THE CLEANING OF THE MIXER EXCLUDE FROM ANY WARRANTY OBLIGATION.**

## **NETTOYAGE**

Diversifier le nettoyage des pièces chromées à différence des pièces en marbre. Etant le marbre, un matériel amende et délicate, il est recommandé à couvrir de-ci, avec un chiffon pendant le nettoyage des pièces en laiton.

### Pièces en laiton chromé.

Afn d'assurer un bon nettoyage, laver exclusivement avec eau et savon, rincer et essuyer avec un chiffon doux. N'utiliser jamais alcool, solvants, de poudres à récurer ni de nettoyeurs acides et éponges abrasives ou éponges métalliques car risquent de causer des dommages irrémédiables.

### Pièces en marbre

Pour le nettoyage du marbre, utiliser eau avec une petite concentration d'alcool. En alternative utiliser savon à Ph neutre. N'utiliser jamais nettoyeurs acides. N'utiliser pas jus de citron, acide citrique, vinaigre, vinaigre de pommes, nettoyeur agressives ou des autres solutions en résultants acides ou corrosives.

**ÉVITER ABSOLUMENT TOUT CONTACT AVEC PRODUITS ANTICALCAIRES!** Etant le marbre, un rocher calcaire, c'est corrodé par tous les nettoyeurs anticalcaires. Eviter des nettoyeurs abrasifs et toutes les matériels de nettoyage qu'ils pourraient éraflure et casser le marbre irrémédiablement.

**L'UTILISE DES CES DETERGENTS POUR LE NETTOYAGE DU MITIGEUR REND CADUQUE LA GARANTIE SUR LA SURFACE DE-CI .**



The logo for AQUABRASS, featuring a stylized globe icon to the left of the brand name. The globe is composed of several overlapping, semi-transparent circles in shades of blue and green, creating a textured, spherical effect. The brand name "AQUABRASS" is written in a bold, black, sans-serif font to the right of the globe.

**AQUABRASS**