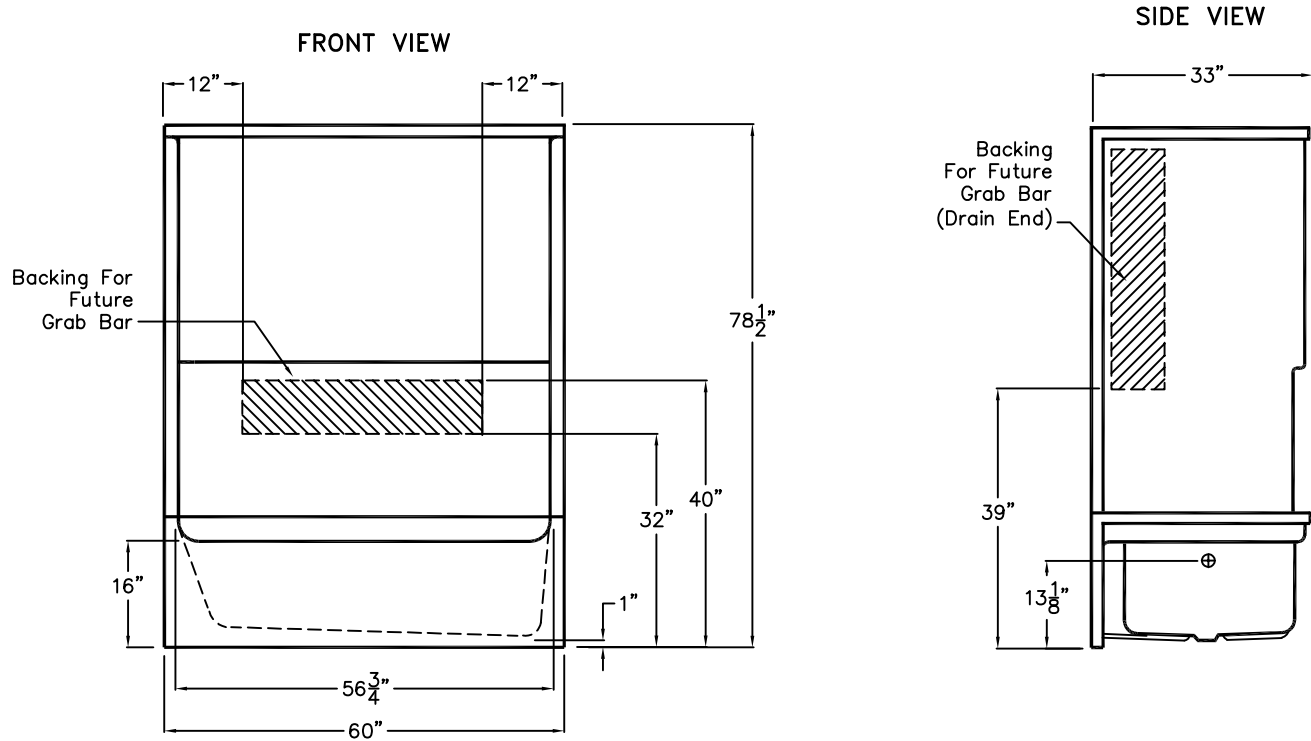


Special Needs Series

SUBMITTAL DATA

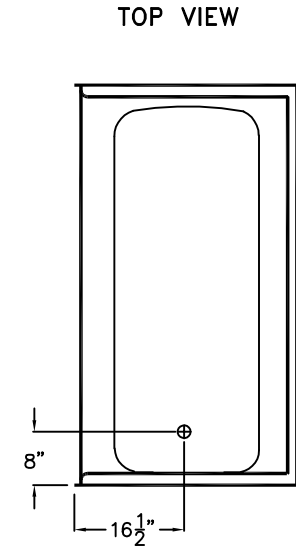


Sectional Tub Shower

This shower enclosure shall be Choose Home Model CHG 6017 TS 2P FB right, or left. Finished surface shall be of sanitary-grade applied acrylic. The unit shall have outside dimensions of 60" x 33" x 78 1/2". The unit shall meet IAPMO Z124-2011, and CSA B45.5-11.

The enclosure shall be equipped with the following factory installed accessories:
 1) Reinforced backing on the back wall for future horizontal grab bar, 2) Reinforced backing on the drain end wall for future vertical grab bar (bars by others), 3) Molded shelf along the back wall, 4) Two piece sectional design.

Available options:
 1) Hand held shower set (includes: swivel connector, 60" flex hose, 30" slide bar, brass nipple, locknut, wall brackets, and shower outlet), 2) Pressure balance valve, 3) Green anti-bacterial shower curtain with hooks, 5) White weighted shower curtain with hooks, 6) Drain, 7) Grab bars, 8) Molded seat.



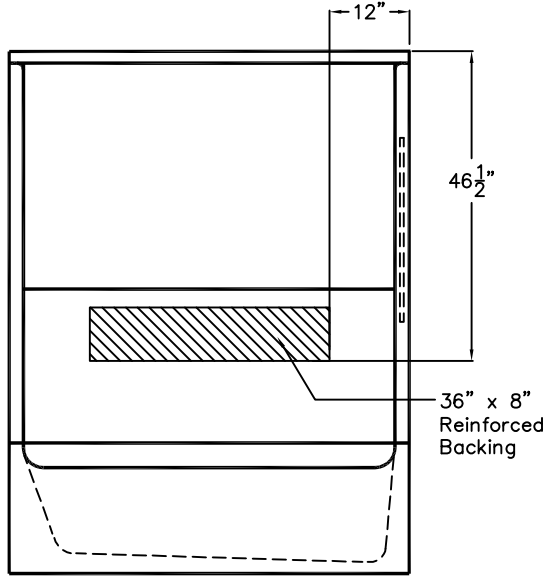
DUE TO THE NATURE OF THE MATERIALS DIMENSIONS MAY VARY ± 1/2"

Job Name:	PRAXIS	
Approved By Print Name:	Drawing#: CHG 6017 TS 2P FB FBP	
Approved By Signature:	Date:	Date: 7-19-96 Revised: 4-5-17
Rep.:	Wholesaler:	Quote No.:

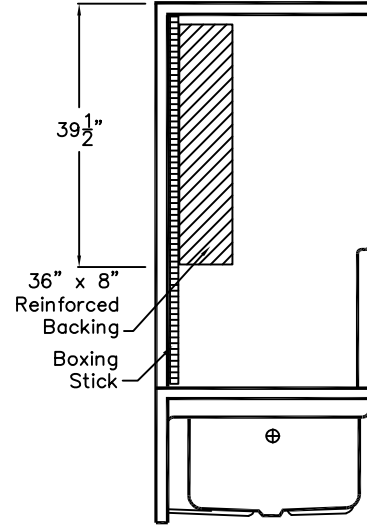
PRAXIS INDUSTRIES, INC.
 ROUTE 1, BOX 46D - SAVANNAH, TN 38372
 1 (800) 443-7269 - FAX (901) 925-4290

Backing Placement SUBMITTAL DATA

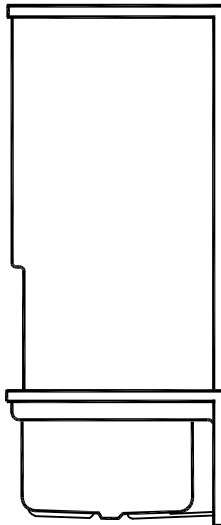
FRONT VIEW



DRAIN SIDE VIEW



SIDE OPPOSITE DRAIN



Job Name:	PRAXIS	
Approved by Print Name:	Drawing#: CHG 6017 TS 2P FB FBP-BP	
Approved by Signature:	Date:	Date: 5-9-07 Revised: 4-5-17
Rep.:	Wholesaler:	Quote No.:

PRAXIS INDUSTRIES, LLC.
 435 INDUSTRIAL RD - SAVANNAH, TN 38372
 1 (800) 443-7269 - FAX (731) 925-4290