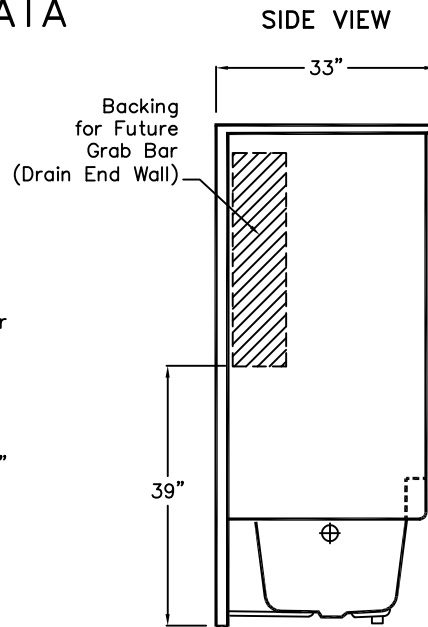
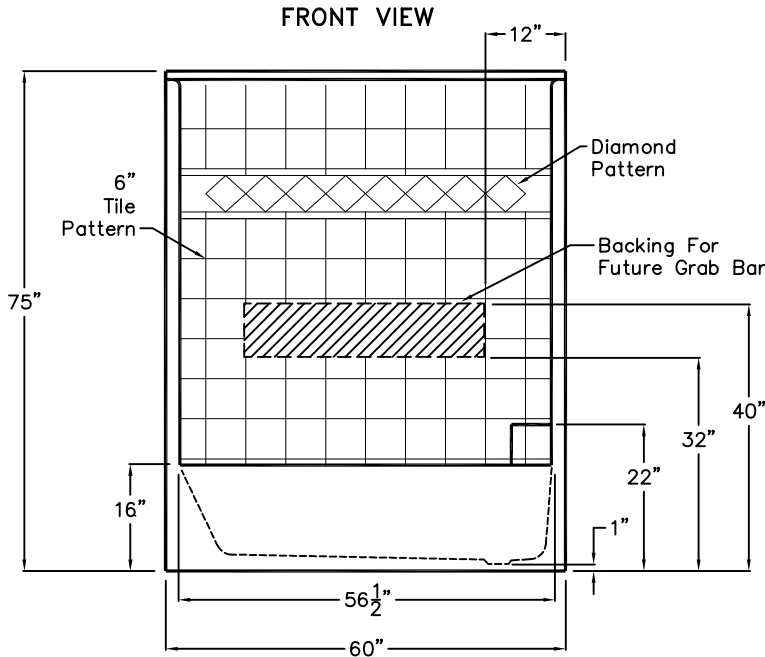
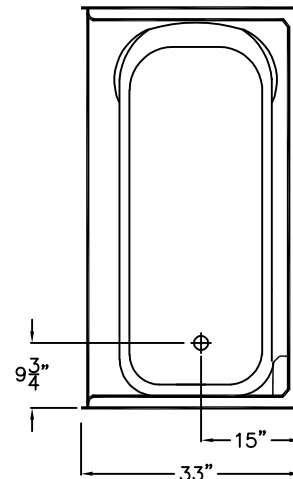


# Luxury Acrylic Series

## SUBMITTAL DATA



TOP VIEW



### Accessible Tub Shower

This shower enclosure shall be Choose Home Model CHM 6032 TS Tile right, or left. Finished surface shall be of sanitary-grade applied acrylic. The unit shall have outside dimensions of 60" x 33" x 75". The unit shall meet IAPMO Z124-2011, and CSA B45.5-11.

The enclosure shall be equipped with the following factory installed accessories:

- 1) Reinforced backing on the back wall for future horizontal grab bar,
- 2) Reinforced backing on the drain end wall for future vertical grab bar (bars by others),
- 3) Molded soap ledge low in the corner by the drain end,
- 4) Tile pattern,
- 5) Diamond accents.

Available options:

- 1) Hand held shower set (includes: swivel connector, 60" flex hose, 30" slide bar, brass nipple, locknut, wall brackets, and shower outlet),
- 2) Pressure balance valve,
- 3) Green anti-bacterial shower curtain with hooks,
- 5) White weighted shower curtain with hooks,
- 6) Drain,
- 7) Grab bars.

DUE TO THE NATURE OF THE MATERIALS  
DIMENSIONS MAY VARY ± 1/2"

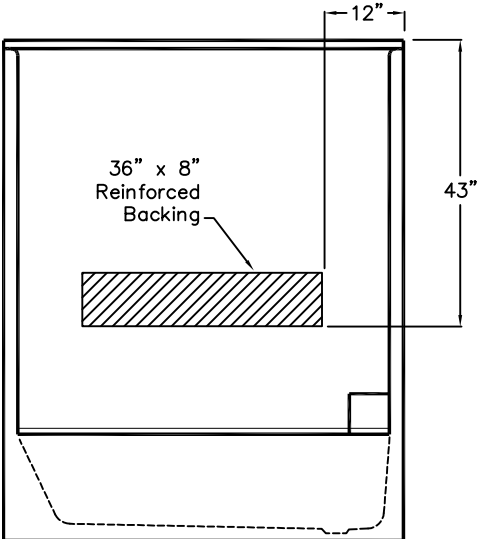
|                         |                           |                                    |
|-------------------------|---------------------------|------------------------------------|
| Job Name:               | <b>PRAXIS</b>             |                                    |
| Approved By Print Name: | Drawing#: CHM 6032 TS FBP |                                    |
| Approved By Signature:  | Date:                     | Date: 5-18-07      Revised: 4-4-17 |
| Rep.:                   | Wholesaler:               | Quote No.:                         |

PRAXIS INDUSTRIES, LLC.  
ROUTE 1, BOX 46D - SAVANNAH, TN 38372  
1 (800) 443-7269 - FAX (731) 925-4290

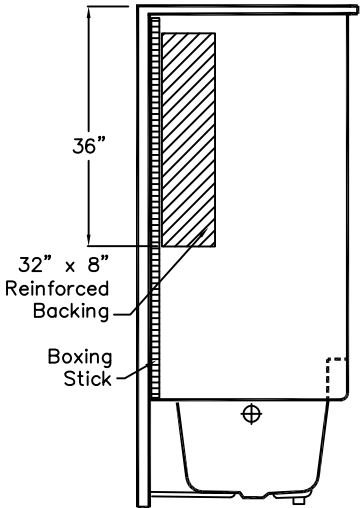
# Backing Placement

## SUBMITTAL DATA

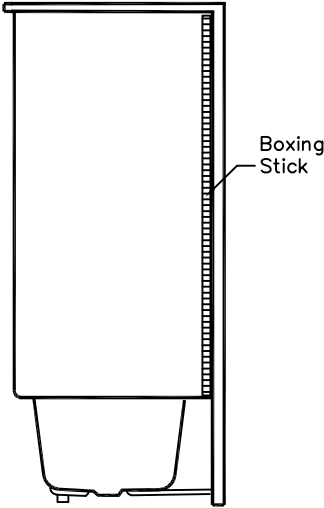
FRONT VIEW



VALVE SIDE VIEW



SIDE VIEW



DUE TO THE NATURE OF THE MATERIALS  
DIMENSIONS MAY VARY  $\pm 1/2$ "

|                         |                                    |
|-------------------------|------------------------------------|
| Job Name:               | PRAXIS                             |
| Approved by Print Name: | Drawing#: CHM 6032 TS FBP-BP       |
| Approved by Signature:  | Date: 10-2-00      Revised: 4-4-17 |
| Rep.:                   | Quote No.:                         |
| Wholesaler:             |                                    |

**PRAXIS INDUSTRIES, LLC.**  
 ROUTE 1, BOX 46D - SAVANNAH, TN 38372  
 1 (800) 443-7269 - FAX (731) 925-4290