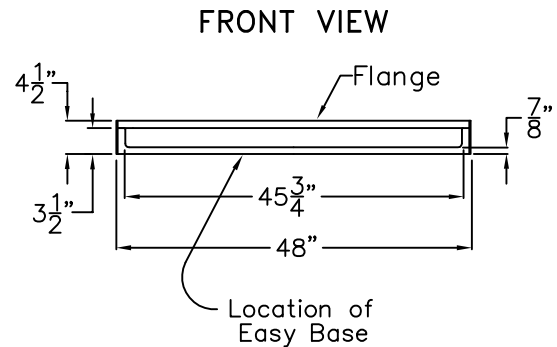
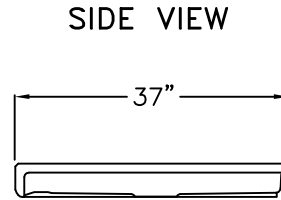
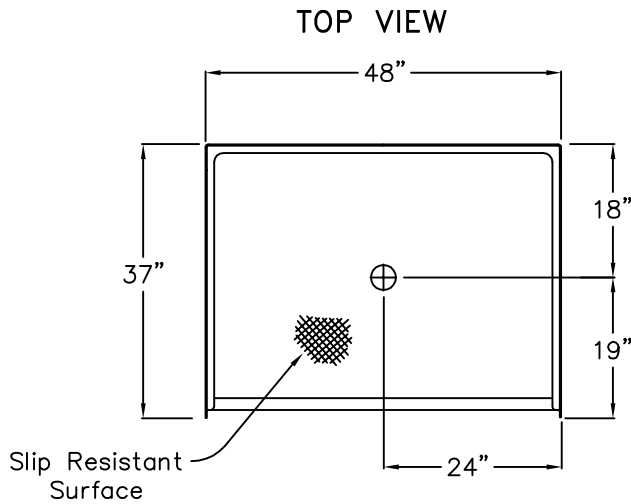


Comfort Series SUBMITTAL DATA

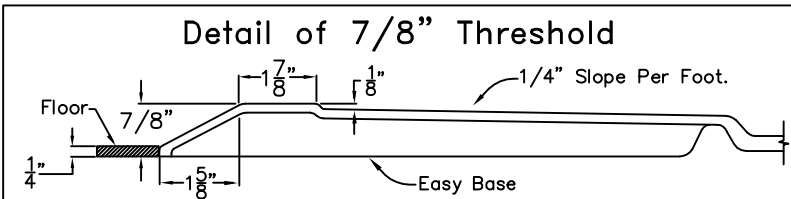


Shower Pan

This shower pan shall be Aquarius Model MPB 4836 BF .875 center drain. Finished surface shall be of sanitary-grade applied acrylic. The unit shall have outside dimensions of 48" x 37" x 4 1/2". The unit shall meet IAPMO Z124-2011, and CSA B45.5-11.

The enclosure shall be equipped with the following factory installed accessories:

- 1) Center drain location,
- 2) Factory installed Easy Base self sustaining bottom,
- 3) 7/8" change of level threshold.



DUE TO THE NATURE OF THE MATERIALS INVOLVED
UNIT DIMENSIONS MAY VARY ± 1/2 INCH

AQUARIUS

Approved by Print Name:

Drawing#: MP 4836 BF .875

Approved by Signature:

Date:

Date: 3-31-09

Revised: 11-24-15

Rep.:

Wholesaler:

Quote No.

PRAXIS INDUSTRIES, INC.
435 INDUSTRIAL RD - SAVANNAH, TN 38372
1 (800) 443-7269 - FAX (901) 925-4290

Recyclable Paper