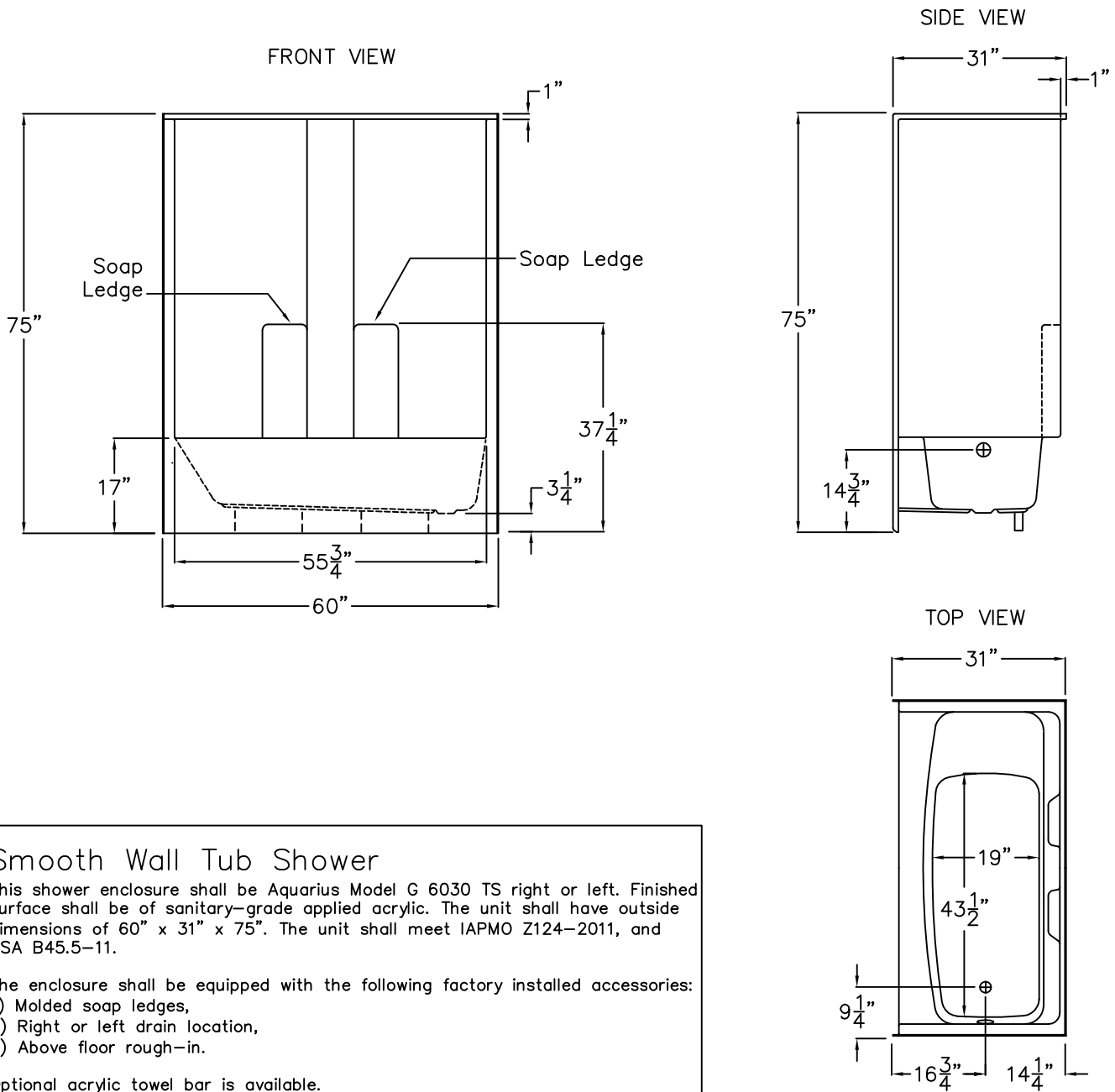


Luxury Acrylic Series

SUBMITTAL DATA



Smooth Wall Tub Shower

This shower enclosure shall be Aquarius Model G 6030 TS right or left. Finished surface shall be of sanitary-grade applied acrylic. The unit shall have outside dimensions of 60" x 31" x 75". The unit shall meet IAPMO Z124-2011, and CSA B45.5-11.

The enclosure shall be equipped with the following factory installed accessories:

- 1) Molded soap ledges,
- 2) Right or left drain location,
- 3) Above floor rough-in.

Optional acrylic towel bar is available.

DUE TO THE NATURE OF THE MATERIALS
DIMENSIONS MAY VARY ± 1/2"

Job Name:

AQUARIUS

Approved By Print Name:

Drawing#: G 6030 TS

Approved By Signature:

Date:

Date: 7-23-96 Revised: 10-11-16

Rep.:

Wholesaler:

Quote No.:

PRAXIS INDUSTRIES, INC.
435 INDUSTRIAL ROAD- SAVANNAH, TN 38372
1 (800) 443-7269 - FAX (901) 925-4290