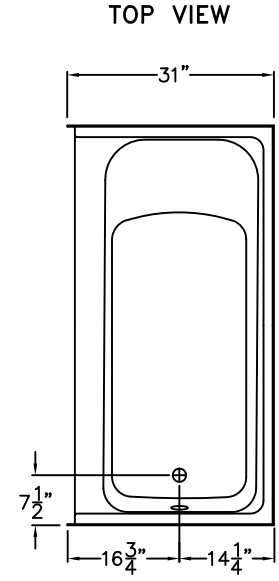
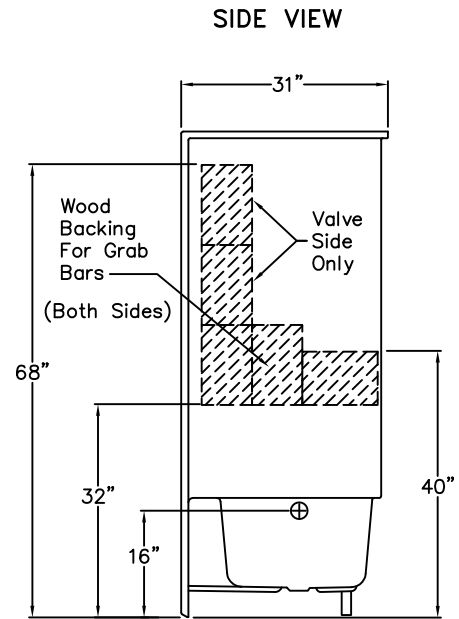
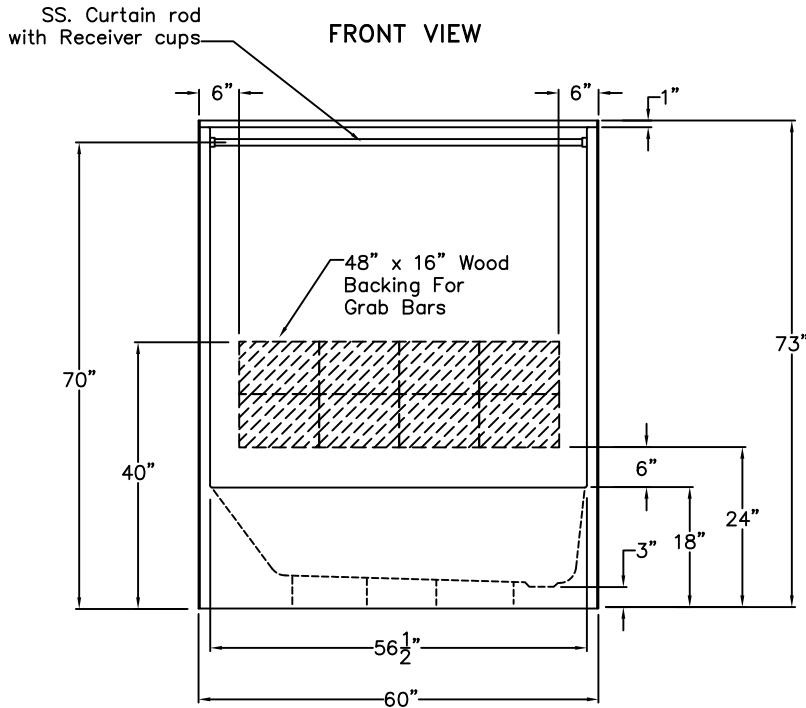


Luxury Acrylic Series

SUBMITTAL DATA



Accessible 60" Tub Shower

The tub shower enclosure shall be Aquarius model G 6031 TS right or left. Finished surface shall be of a sanitary grade applied acrylic. The base shall be attached to the sump of the unit in such a manner to form an integral part with an inner and outer coating of polyester resin.

The unit shall have outside dimensions of 60" x 31" x 73". Unit complies with UPC, CSA B45.5, HUD-UM73, HUD, FHA, ANSI Z124.1.2 and Home Innovation Research Lab.

The enclosure shall be equipped with the following installed accessories:

- 1) 48" x 18" wood backing on the back wall for future grab bars, by others,
- 2) Wood backing on both side walls for future grab bars, by others, backing is located per HUD guidelines for later installation of grab bars and seat in code compliant locations,
- 3) One inch diameter stainless steel curtain rod with receiver cups.

Available Options: 4) Code grab bar package, 5) Valve package with hand shower, 6) Recessed soap dish, 7) Nurses call box drilling.

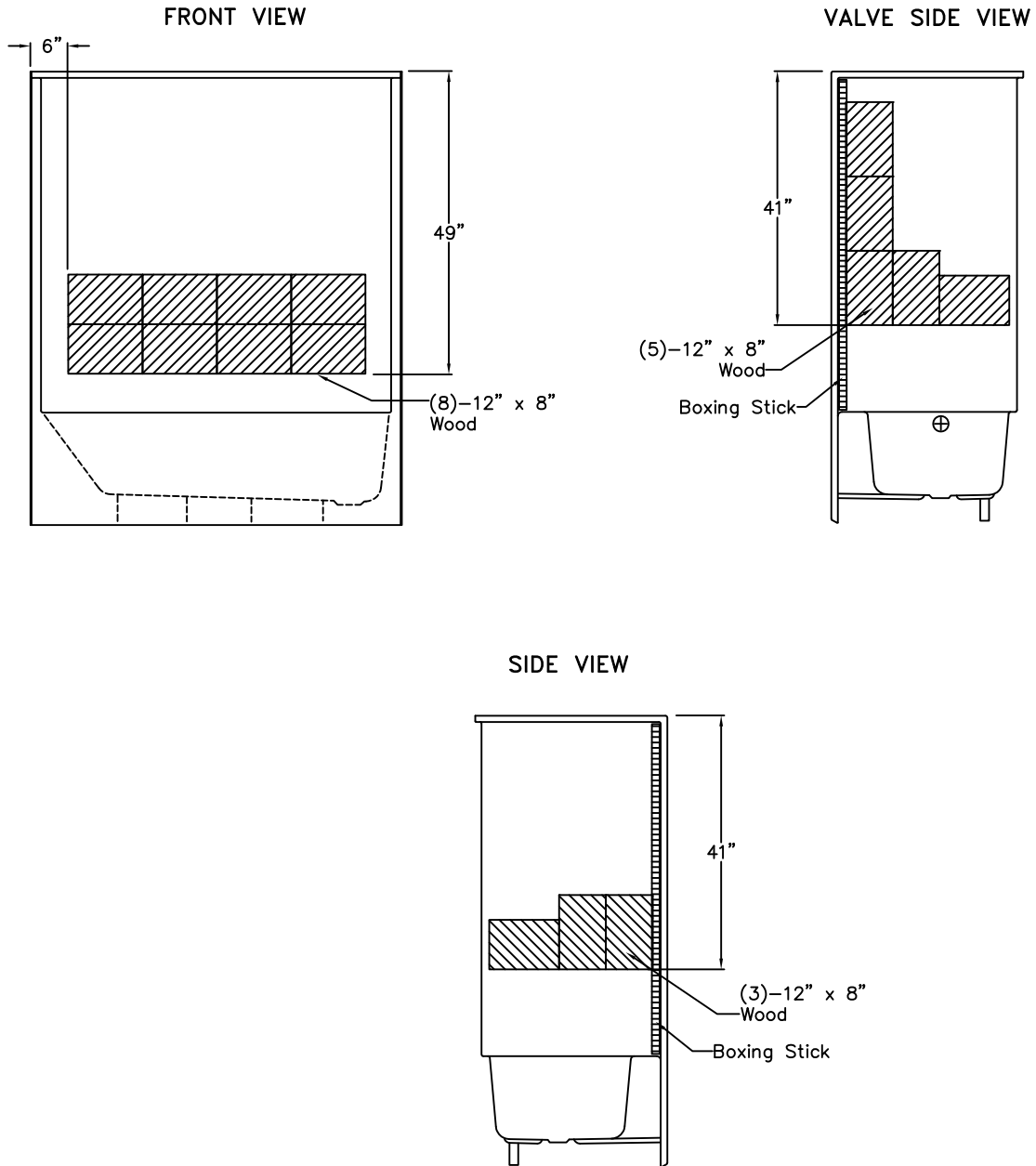
DUE TO THE NATURE OF THE MATERIALS DIMENSIONS MAY VARY ± 1/2"

Job Name:	AQUARIUS	
Approved By Print Name:	Drawing#: G 6031 TS CR HUD Backing	
Approved By Signature:	Date:	Date: 3-26-97 Revised: 10-14-16
Rep.:	Wholesaler:	Quote No.:

PRAXIS INDUSTRIES, INC.
 ROUTE 1, BOX 46D - SAVANNAH, TN 38372
 1 (800) 443-7269 - FAX (901) 925-4290

Board Placement Drawing

SUBMITTAL DATA



DUE TO THE NATURE OF THE MATERIALS
DIMENSIONS MAY VARY ± 1/2"

Job Name:	AQUARIUS	
Approved by Print Name:	Drawing#: G 6031 TS CR HUD Backing-BP	
Approved by Signature:	Date:	Date: 3-26-97 Revised: 10-14-16
Rep.:	Wholesaler:	Quote No.:

PRAXIS INDUSTRIES, INC.
 ROUTE 1, BOX 46D - SAVANNAH, TN 38372
 1 (800) 443-7269 - FAX (901) 925-4290