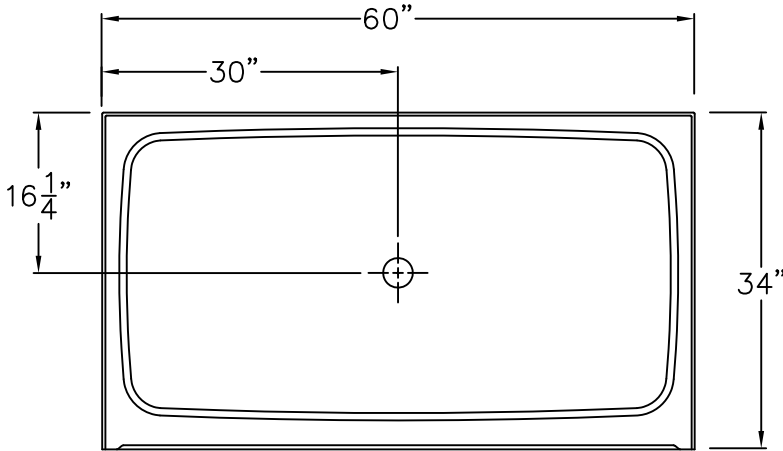


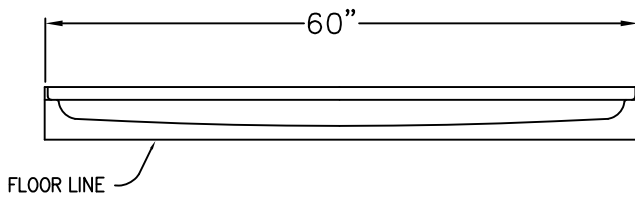
# LUXURY ACRYLIC SERIES

## SUBMITTAL DATA

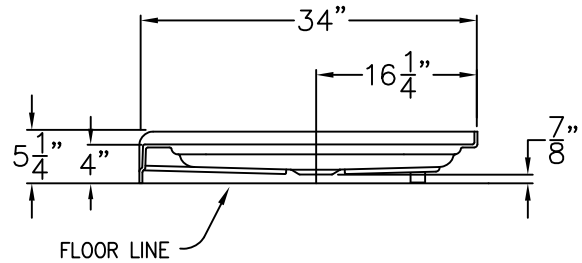
TOP VIEW



FRONT VIEW



SIDE VIEW



AB 3460 CAST ACRYLIC SHOWER PAN. UNIT MEASURES 60" x 34" x 5 1/4" WITH A THRESHOLD HEIGHT OF 4".

DUE TO THE NATURE OF THE MATERIALS DIMENSIONS MAY VARY ± 1/2"

Job Name:		<b>PRAXIS</b>	
Model No.:		Drawing#: AB 3460 Acrylic Pan	
Approved by:	Date Approved:	Date: 5-1-08	Revised: 4-3-17
Rep.:	Wholesaler:	Quote No.:	

PRAXIS INDUSTRIES, INC.  
 ROUTE 1, BOX 46D - SAVANNAH, TN 38372  
 1 (800) 443-7269 - FAX (901) 925-4290