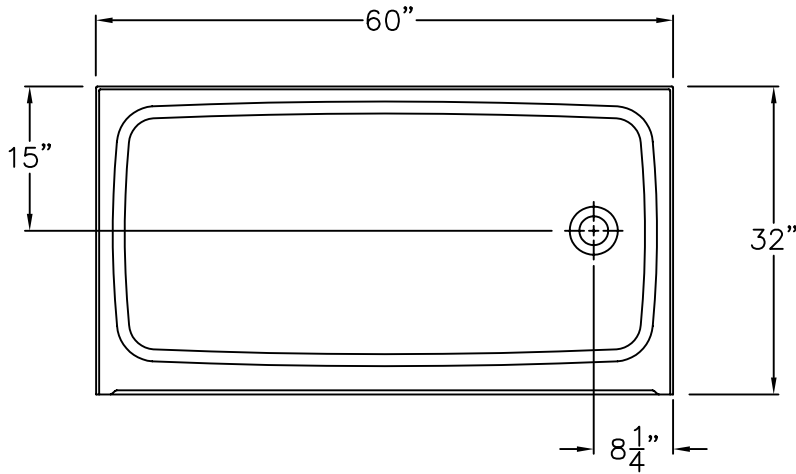


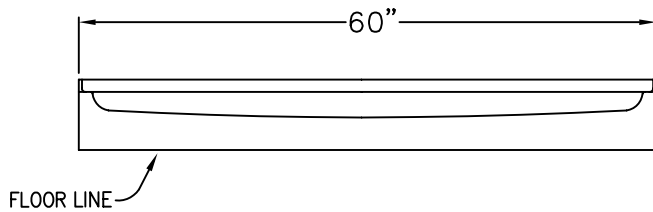
# LUXURY ACRYLIC SERIES

## SUBMITTAL DATA

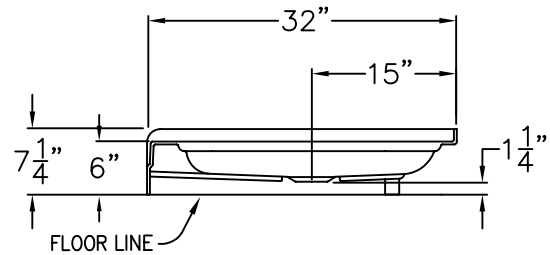
TOP VIEW



FRONT VIEW



SIDE VIEW



AB 6032 ACRYLIC SHOWER PAN. UNIT MEASURES 60" x 32" x 7 1/4"  
 WITH A THRESHOLD HEIGHT OF 6". SHOWER PAN IS AVAILABLE  
 IN RIGHT, LEFT OR CENTER DRAIN.

DUE TO THE NATURE OF THE MATERIALS  
 DIMENSIONS MAY VARY ± 1/2"

Job Name:		<b>AQUARIUS</b>	
Model No.:		Drawing#: AB 6032R ACRYLIC PAN	
Approved by:	Date Approved:	Date: 5-1-08	Revised: 6-18-10
Rep.:	Wholesaler:	Quote No.:	

PRAXIS INDUSTRIES, INC.  
 ROUTE 1, BOX 46D - SAVANNAH, TN 38372  
 1 (800) 443-7269 - FAX (901) 925-4290