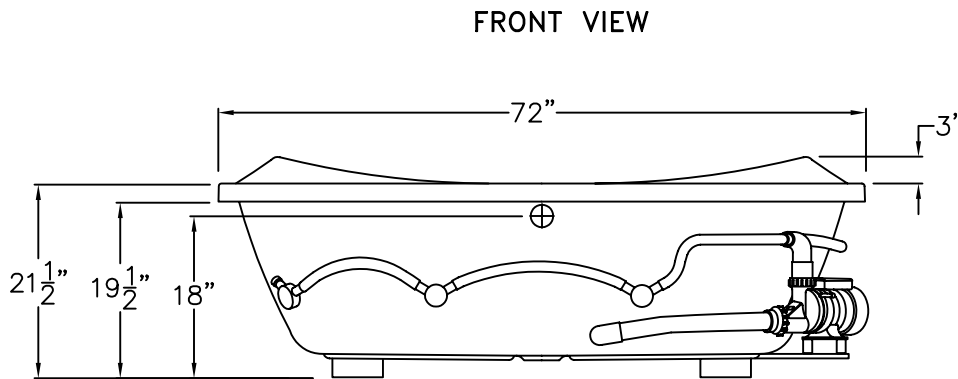
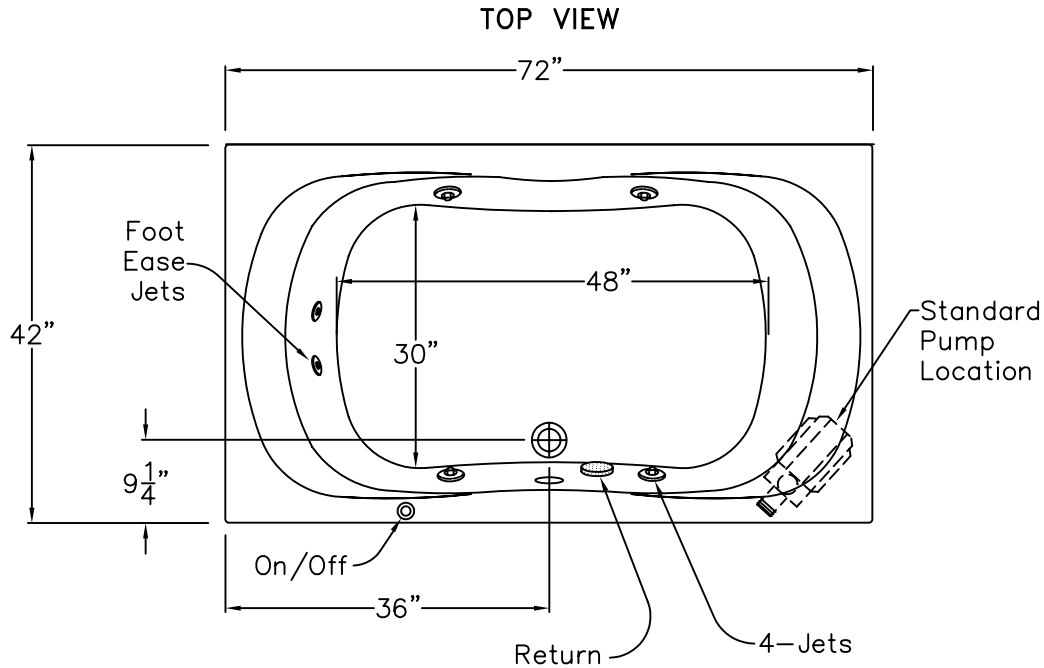


Luxury Acrylic Series

SUBMITTAL DATA



RNRIO 7242 TO DI ACRYLIC FACED DROP IN BATHTUB.
 CONFIGURED WITH 4 JET WHIRLPOOL SYSTEM, FOOT JETS,
 PUMP/MOTOR, ON OFF CONTROL, AND CENTER DRAIN.

DUE TO THE NATURE OF THE MATERIALS
 DIMENSIONS MAY VARY $\pm 1/2"$

Job Name:	PRAXIS		
Model No.:	Drawing#: RNRIO 7242 DI WP		
Approved by:	Date Approved:	Date: 4-19-06	Revised: 2-15-12
Rep.:	Wholesaler:	Quote No.:	

PRAXIS INDUSTRIES, LLC.
 435 INDUSTRIAL RD - SAVANNAH, TN 38372
 1 (800) 443-7269 - FAX (731) 925-4290