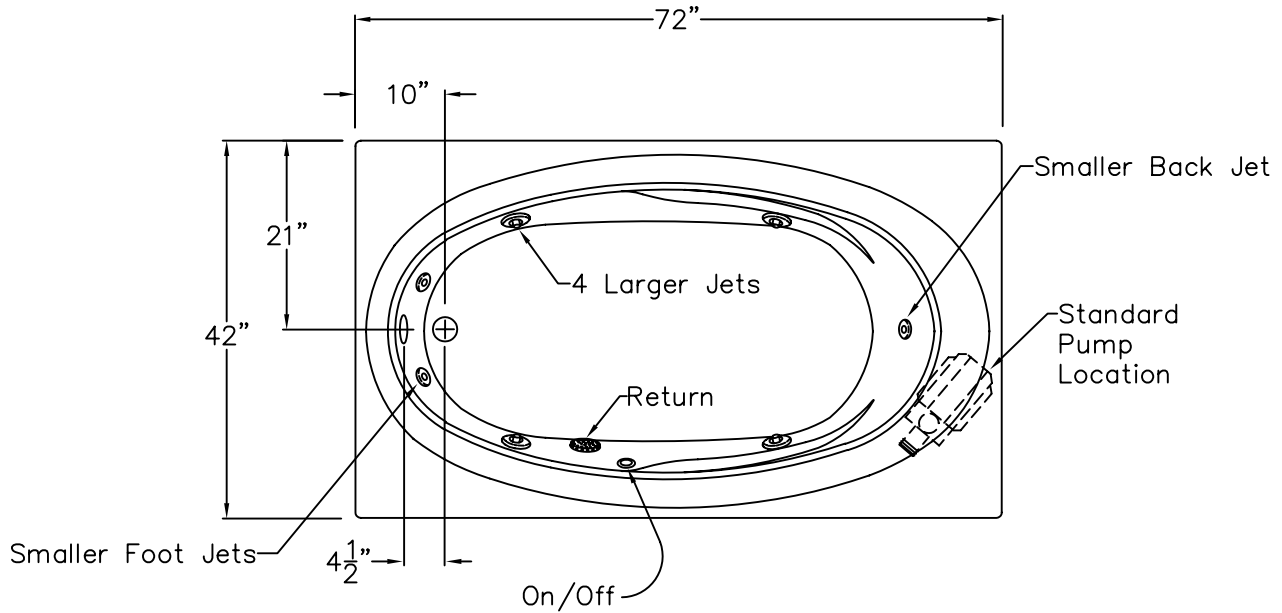


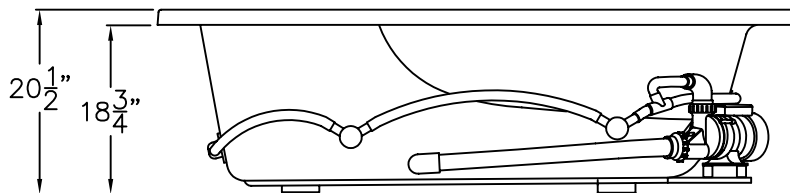
Luxury Acrylic Series

SUBMITTAL DATA

TOP VIEW



FRONT VIEW



RNTAH16 TO DI ACRYLIC FACED DROP IN BATHTUB.
 CONFIGURED WITH 7 WHIRLPOOL JETS PUMP-MOTOR,
 AND ON/OFF CONTROL.

DUE TO THE NATURE OF THE MATERIALS
 DIMENSIONS MAY VARY ±1/2"

Job Name:	PRAXIS		
Model No.:	Drawing#: RNTAH16 DI WP		
Approved by:	Date Approved:	Date: 4-19-06	Revised: 2-15-12
Rep.:	Wholesaler:	Quote No.:	

PRAXIS INDUSTRIES, LLC.
 435 INDUSTRIAL RD - SAVANNAH, TN 38372
 1 (800) 443-7269 - FAX (731) 925-4290