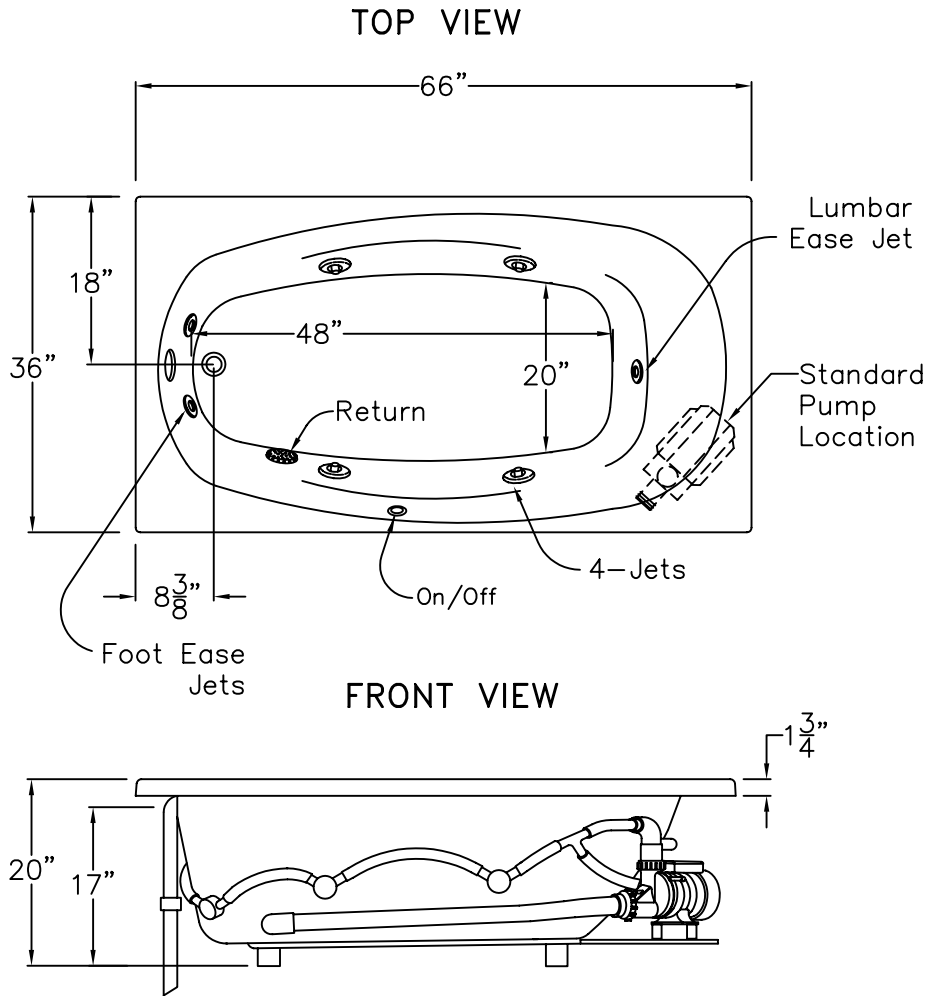


Luxury Acrylic Series

SUBMITTAL DATA



RN 6636 TO DI ACRYLIC FACED DROP IN BATHTUB.
 CONFIGURED WITH 4 WHIRLPOOL JETS, LUMBAR JET,
 2 FOOT JETS, PUMP/MOTOR, AND ON OFF CONTROL.

DUE TO THE NATURE OF THE MATERIALS
 DIMENSIONS MAY VARY ±1/2"

Job Name:		PRAXIS	
Model No.:		Drawing#: RN 6636 DI WP	
Approved by:	Date Approved:	Date: 11-1-07	Revised: 2-15-12
Rep.:	Wholesaler:	Quote No.:	

PRAXIS INDUSTRIES, LLC.
 435 INDUSTRIAL RD - SAVANNAH, TN 38372
 1 (800) 443-7269 - FAX (731) 925-4290