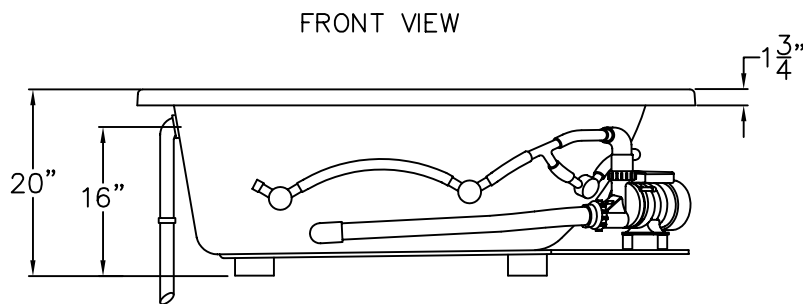
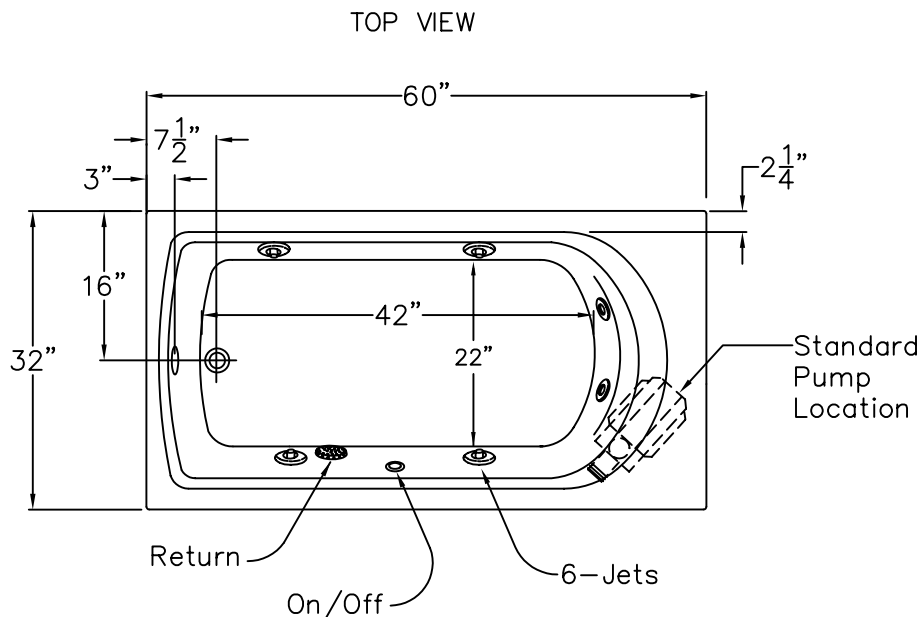


Luxury Acrylic Series

SUBMITTAL DATA



RN 6032 TO DROP IN ACRYLIC WHIRLPOOL.
 TUB IS CONFIGURED WITH 6 JET WHIRLPOOL SYSTEM,
 PUMP/MOTOR AND ON/OFF CONTROL.

DUE TO THE NATURE OF THE MATERIALS
 DIMENSIONS MAY VARY ± 1/2"

Job Name:	PRAXIS	
Model No.:	Drawing#: RN 6032 WP DI	
Approved by:	Date Approved:	Date: 11-1-07 Revised: 2-15-12
Rep.:	Wholesaler:	Quote No.:

PRAXIS INDUSTRIES, LLC.
 435 INDUSTRIAL RD - SAVANNAH, TN 38372
 1 (800) 443-7269 - FAX (731) 925-4290