

SPECIFICATIONS

**CLASSIC TRADITIONAL
SHELF BRACKETS**



FEATURES

Traditional styling
Multiple finishes
Concealed installation

WARRANTY

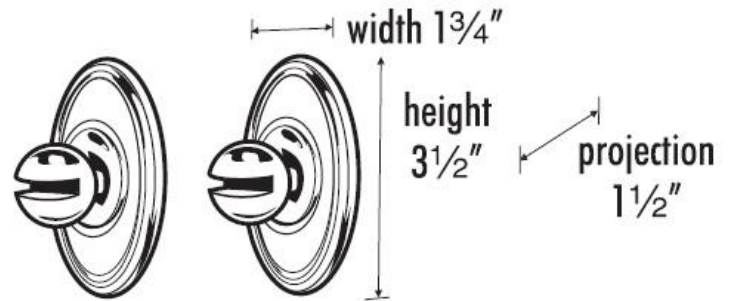
Limited lifetime

FINISHES

Polished Brass (PB)
Polished Brass/Non-lacquered (PB/NL)
Polished Chrome (PC)
Antique English (AE)
Antique English Matte (AEM)
Barcelona (BARC)
Bronze (BRZ)
Chocolate Bronze (CHBRZ)
Polished Antique (PA)
Polished Nickel (PN)
Satin Nickel (SN)

MATERIAL

Brass



Item#

A8050

NOTE: Dimensions and specifications are subject to change without notice.