

# TECHNICAL SPECIFICATIONS

## OPS-3636 - with ADA grab bar and seat

MODEL NUMBER 141274

DIMENSIONS: 36" x 36" x 76 5/8" Gelcoat



### STANDARD FEATURES

- 1-piece transfer shower reinforced according to FHA accessibility requirements
- One horizontal L-shaped grab bar (34 3/8" x 18") and L-shaped fold-up phenolic white seat
- Center drain
- Textured bottom
- 1 1/8 in. skirt and 1/2 in. high threshold

### UNIQUE FEATURES

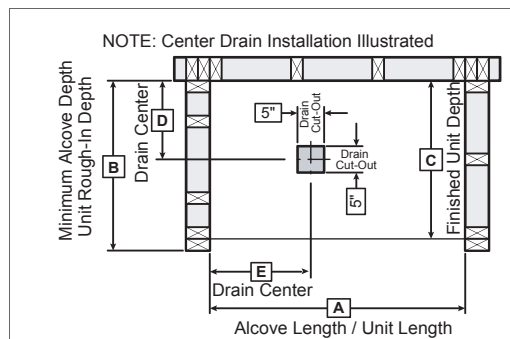
- None

### OPTIONS

- Chrome recessed soap dish (drilled, not installed)
- Solid Brass drain with Chrome plated Stainless Steel grid
- 36" Chrome curtain rod
- 36" White vinyl shower curtain

### SYSTEMS

- None



Model	A	B	C	D	E
141271	38 3/4	39	38	19 1/2	19 3/8

Project : .....

Contractor : .....

AKER Representative : ..... Tel : .....

Date : .....

### CERTIFICATIONS

AKER products adhere to one or more of the following certifications:



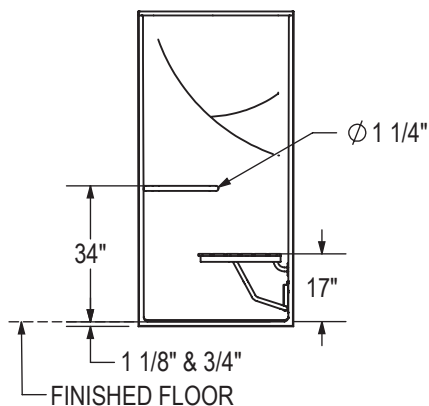
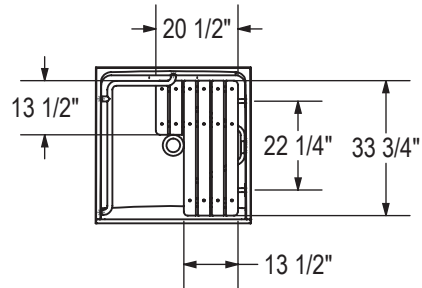
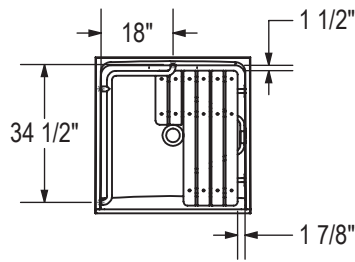
## TECHNICAL SPECIFICATIONS

# OPS-3636 - with ADA grab bar and seat

MODEL NUMBER 141274

## TECHNICAL DRAWINGS

BASE MODEL WITH ADA GRAB BAR & SEAT PACKAGE  
LEFT SIDE SHOWN  
RIGHT SIDE SYMMETRICAL



All dimensions are approximate. Structure measurements must be verified against the unit to ensure proper fit.