



|                |  |              |
|----------------|--|--------------|
| LOCATION       |  | DATE         |
| PREPARED BY    |  | QUANTITY     |
| COMMENTS       |  | FIXTURE TYPE |
| CATALOG NUMBER |  |              |

## Soho LED Pendant SSP Series

### Features

Frosted glass cylinder pendant is suspended with an 9 foot adjustable coax cable can be ordered individual or with a multi-point canopy. Canopy mounts to a standard junction box (not included).

### Construction

The glass cylinder is 14" tall and 3-7/8" in diameter and held into place by three decorative studs. The canopy fits over a standard junction box. Power supply connections must be made inside a junction box (not included).

### Finish

The canopy is plated in Satin Nickel.

### Diffuser

Glass cylinder pendant is .40" thick. Glass colors include white (WH), cream (CR) and amber (AM).

### Electrical

#### D1 Driver

Direct wired with a constant current low voltage electronic LED driver rated at 120 VAC. The driver is dimmable with a 2-wire (Triac) or electronic low voltage (ELV) dimmer switch.

#### D2 Driver

Direct wired with a constant current low voltage electronic LED driver rated for 120-277 VAC. LED driver is dimmable 0-10V DC.

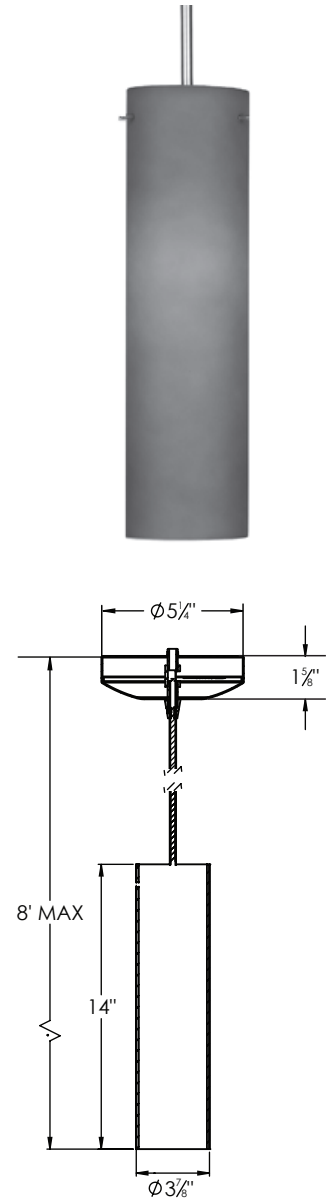
### Lamping

All pendants include a 10W LED module. Light engine produces 1000 source lumens. 3000K and 4000K (CCT). 50,000 hr. LED life, 90 CRI.

### Certification

All fixtures are ETL listed for damp locations.

**Specifications and dimensions  
subject to change without notice.**



## Ordering Information:

| Series | Source Lumens | LED | CCT                  | Driver   | Finish          | Glass                            | Canopy Options   |
|--------|---------------|-----|----------------------|--|-----------------|----------------------------------|--|
| SSP    | 1000          | L   | 30 3000K<br>40 4000K | D1 Voltage (120V TRIAC Dimming)<br>D2 Voltage (120-277V 0-10V Dimming) | SN Satin Nickel | AM Amber<br>CR Cream<br>WH White | Blank Monopoint<br>LNR3 (3) Light Linear<br>RND3 (3) Light Round<br>RND6 (6) Light Round |

Example: SSP1000L30WHSND1