

Safety Precautions

Read all safety precautions and installation instructions carefully before installing or servicing this fixture. Failure to comply with these instructions could result in potentially fatal electric shock and/or property damage.

It is recommended that all wiring be performed by a qualified electrician. This fixture must be wired in accordance with all national and local electrical codes.

Do not handle any energized fixture or attempt to energize any fixture with wet hands or while standing on a wet or damp surface or in water.

This fixture is designed for use in a 120-277 VAC, 60Hz fused circuit.

To reduce the risk of electrical shock, and to assure proper operation, this fixture must be adequately grounded. To accomplish proper grounding, there must be a separate ground wire (green) or bare metal contact (metal conduit) between this fixture and the ground connection of your main power supply panel. The green ground screw location is clearly marked on the fixture housing.

This fixture is intended to be used for general indoor lighting in dry or damp locations.

Assembly Instructions

1. Preparing for installation

- A. **Disconnect electrical power** before installing or servicing any part of this fixture.
- B. Remove cover (2) by squeezing near the retaining tabs on the channel (1).
- C. Remove appropriate knockout(s) for power supply entry.

2. Wiring

Caution: Make sure power is off at fuse or circuit breaker box. Check power wires for damage or scrapes. **Note:** Most dwellings built before 1985 have supply wire rated to 60C. Consult a qualified electrician before installing.

- A. This unit will not operate properly unless connected to a “grounded” electrical circuit. Electrical shock, overheating, low or no light output, and shortened lamp life can result if proper grounding is not done. Securely attach input GREEN wire to green ground screw on fixture.
- B. **For Single Ended Lamps:** Connect input BLACK (H) supply wire to BLACK fixture lead. Connect input WHITE (N) lead to YELLOW fixture lead. WHITE fixture lead is to be capped with a wire nut for no connection. Pull on each wire lead to make sure connections are secure.
For Double Ended Lamps: Connect input BLACK (H) supply wire to BLACK fixture lead. Connect input WHITE (N) lead to WHITE fixture lead. YELLOW fixture lead is to be capped with a wire nut for no connection. Pull on each wire lead to make sure connections are secure.
- C. If mounting to an outlet box, must knockout two-inch center knockout and conductors must not come in contact with edges.

3. Mounting

- A. To locate, hold fixture chassis (1) up to ceiling with power supply knockout located over entryway for power supply wires. Mark the locations of the -mounting holes on the ceiling. Take the chassis down and punch a small hole into the ceiling at each location using a nail or an awl to see if there is a wood joist. If there is a joist, use a suitable wood screw to mount the chassis. Where there is no joist to screw into, use a 1/4” toggle bolt (not included) of suitable length to mount channel securely to the ceiling.
- B. Re-install ballast cover (2) by squeezing and snapping into place using retaining tabs along the center of the chassis.

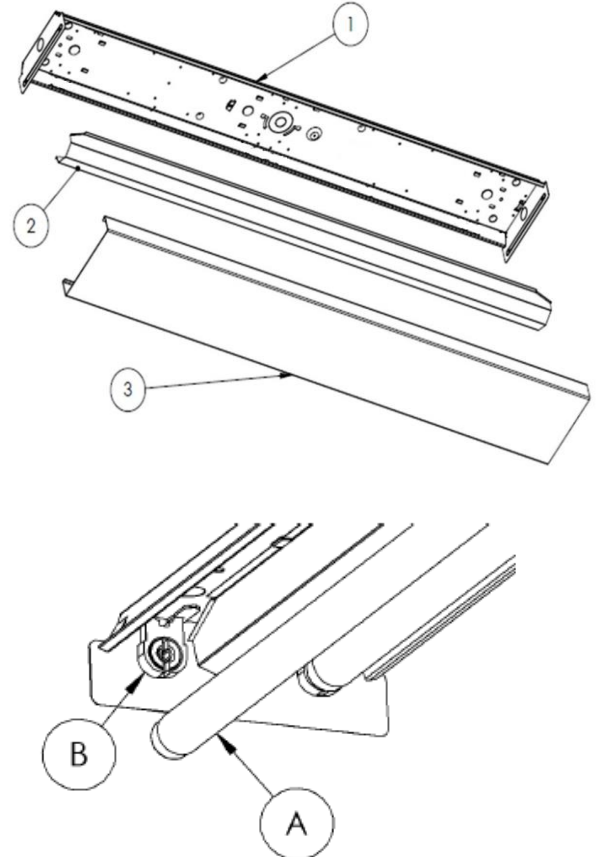
4. Insert LED Tube lamp into socket.

- A. Verify lamp polarity for single ended or double ended lamp.
- B. Insert lamp (A) into lamp holders (B) and twist to lock in-place.

5. Diffuser mounting

- A. Hook one long side of the diffuser (3) onto channel (1) flange; swing the other side of diffuser up to catch channel lip on opposite side rail.

6. Power to the fixture can now be restored.



Limited Factory Warranty AFX inc. hereby warrants that this fixture is free from defects in materials and workmanship when installed and used under normal operating conditions for a period of 5 years from date of shipment from factory. This warranty covers all component parts and extends only to replacement of defective fixture or components; it does not cover failure due to improper installation, misuse, mishandling or damage incurred in transit.