

LED Indoor Luminaires Strip Light - Ceiling Mount 120-277VAC, 50/60Hz

Part #: LSL484100LxxMVWH
294543

Safety Precautions

- Read all safety precautions and installation instructions carefully before installing or servicing this fixture. Failure to comply with these instructions could result in potentially fatal electric shock and/or property damage.
- It is recommended that a qualified electrician perform all wiring. This fixture must be wired in accordance with all national and local electrical codes.
- Do not handle any energized fixture or attempt to energize any fixture with wet hands or while standing on a wet or damp surface or in water.
- This fixture is designed for use in a 120-277VAC, 50/60Hz circuit. This fixture is not compatible with dimmers.
- Make sure that the power source conforms to the requirements of the fixture. (See labels on the fixture housing).
- To reduce the risk of electrical shock, and to assure proper operation, this fixture must be adequately grounded. To accomplish proper grounding, there must be a separate ground wire (green) contact between this fixture and the ground connection of your main power supply panel.
- This fixture is intended to be used for general indoor lighting in dry or damp locations.
- Disclaimer

Changes or modifications not expressly approved by the party responsible for compliance could void the user's authority to operate the equipment. NOTE: This equipment has been tested and found to comply with the limits for a Class B digital device, pursuant to Part 15 of the FCC Rules and Canadian ICES-005 (B) / NMB-005 (B). These limits are designed to provide reasonable protection against harmful interference in a residential installation. This equipment generates, uses and can radiate radio frequency energy and, if not installed and used in accordance with the instructions, may cause harmful interference to radio communications. However, there is no guarantee that interference will not occur in a particular installation. If this equipment does cause harmful interference to radio or television reception, which can be determined by turning the equipment off and on, the user is encouraged to try to correct the interference by one or more of the following measures:

- Reorient or relocate the receiver antenna.
- Increase the separation between the equipment and receiver.
- Connect the equipment into an outlet on a circuit different from that to which the receiver is connected.
- Consult with the dealer or an experienced radio/TV technician for help.

Any modifications to this fixture may void the warranty and interfere with the safe operation of the luminaire.

Operation is subject to the following two conditions: (1) this device may not cause interference, and (2) this device must accept any interference, including interference that may cause undesired operation of the device.

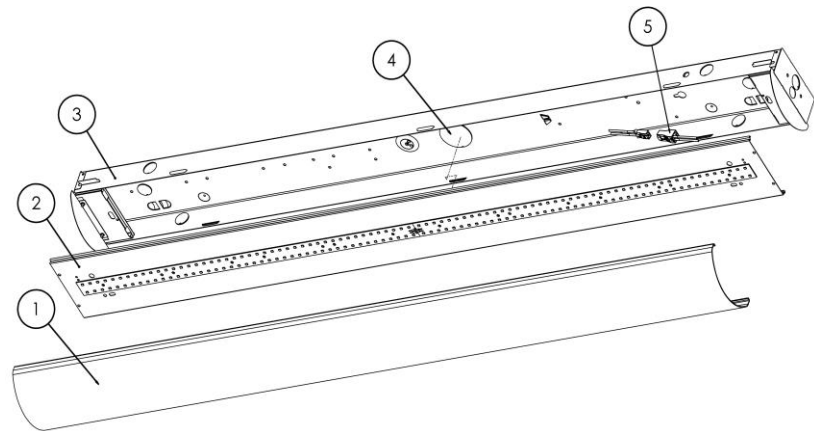
Assembly Instructions

Step 1 – Preparing for installation

- A. **Disconnect electrical power** at fuse or circuit breaker box before installing or servicing any part of this fixture.
- B. Carefully remove the fixture from the carton, remove components from hardware kit.
- C. Separate fixture front diffuser (1), fixture front metal cover (2) and fixture channel housing (3) from each other. Detach wire connectors (5) for easier access to mount
- D. Remove center knockout (4) for wiring connections
- E. Install channel housing (3) to the ceiling over the junction box (not included) with two wood screws or anchor bolts (not included).

Wiring – All wiring must take place inside junction box (not included)

Caution: Make sure power is off at fuse or circuit breaker box. Check power wires for damage or scrapes. If power supply wires are within three inches of the LED driver, use wire suitable for at least 90°C (194°F). **Note:** Most dwellings built before 1985 have supply wire rated to 60°C. Consult a qualified electrician to ensure correct branch circuit conductor before installing.



Step 2 – Wiring fixture

- A. Make all wire connections to appropriate wire. Secure with wire nuts (provided).
- B. Connect the green wire from the fixture to the ground wire from supply power source.
- C. Connect the black wire from the fixture to the black (L) wire from supply power source.
- D. Connect the white wire from the fixture to the white (N) wire from supply power source.
- E. **Do not mix wires.** Pull on each wire lead to make sure connections are secure. Make certain no bare wires are exposed outside of wire connectors. Tuck all connections neatly into junction box.

Step 3 – Fixture mounting

- A. Install fixture metal cover (2) to the channel housing (3) using two lanyards for hang support. Then re-attach power mating pair (5) together. Slightly tilt front metal cover onto its side to engage three locking tabs on the side of the channel housing then rotate to the opposite side and squeeze the side of the channel until cover is fully secured on to the housing.

Step 4 – Installing diffuser

- A. Align one edge of the diffuser (1) on to the side groove of the metal cover (2). Then apply pressure on middle of the diffuser with thumb slightly enough to expand the other side outward to catches on the groove of the opposite side. Ensure diffuser is fully secured to the metal cover.

Step 5 – Restore power at fuse or circuit breaker box

Limited Factory Warranty

This product is manufactured by AFX Inc. AFX Inc. hereby warrants that this fixture is free from defects in materials and workmanship when installed and used under normal operating conditions for a period of 5 years from date of purchase. This warranty covers all component parts and extends only to replacement of defective fixture or components; it does not cover failure due to improper installation, misuse, mishandling or damage incurred in transit.