

Elise LED Indoor Luminaire Pendant Ceiling Mount 120-277VAC / 60Hz

Model #ELEP0407L30D2SN

Safety Precautions

- Read all safety precautions and installation instructions carefully before installing or servicing this fixture. Failure to comply with these instructions could result in potentially fatal electric shock and/or property damage.
- It is recommended that a qualified electrician perform all wiring. This fixture must be wired in accordance with all national and local electrical codes.
- Do not handle any energized fixture or attempt to energize any fixture with wet hands or while standing on a wet or damp surface or in water.
- This fixture is designed for use in a 120-277VAC, 60Hz fused circuit and can be used in conjunction with 0-10V dimmers.
- To reduce the risk of electrical shock, and to assure proper operation, this fixture must be adequately grounded. To accomplish proper grounding, there must be a separate ground wire (green) contact between this fixture and the ground connection of your main power supply panel.
- This fixture is intended to be used for general indoor lighting in dry or damp wet locations.
- Disclaimer

Changes or modifications not expressly approved by the party responsible for compliance could void the user's authority to operate the equipment. NOTE: This equipment has been tested and found to comply with the limits for a Class B digital device, pursuant to Part 15 of the FCC Rules and Canadian ICES-005 (B) / NMB-005 (B). These limits are designed to provide reasonable protection against harmful interference in a residential installation. This equipment generates uses and can radiate radio frequency energy and, if not installed and used in accordance with the instructions, may cause harmful interference to radio communications. However, there is no guarantee that interference will not occur in a particular installation. If this equipment does cause harmful interference to radio or television reception, which can be determined by turning the equipment off and on, the user is encouraged to try to correct the interference by one or more of the following measures:

- Reorient or relocate the receiver antenna.
- Increase the separation between the equipment and receiver.
- Connect the equipment into an outlet on a circuit different from that to which the receiver is connected.
- Consult with the dealer or an experienced radio/TV technician for help.

Any modifications to this fixture may void the warranty and interfere with the safe operation of the luminaire.

Operation is subject to the following two conditions: (1) this device may not cause interference, and (2) this device must accept any interference, including interference that may cause undesired operation of the device.

Assembly Instructions

1. Preparing for installation-

- A. **Disconnect electrical power** before installing or servicing any part of this fixture.
- B. Remove fixture from box. Separate contents of parts bag.

2. Wiring- all wiring must take place inside junction box.

Caution: Make sure power is off at fuse or circuit breaker box. Check power wires for damage or scrapes. Use wire suitable for at least 90C (194F).

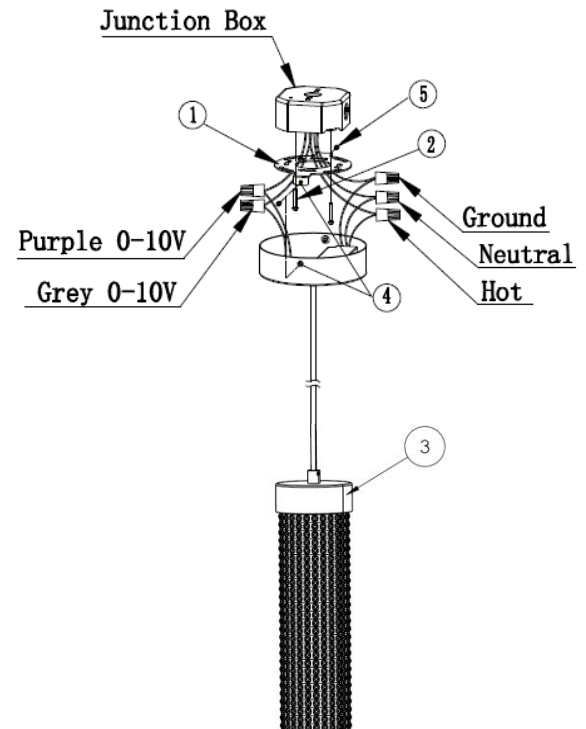
Note: Most dwellings built before 1985 have supply wire rated to 60C. Consult a qualified electrician before installing.

- A. This unit will not operate properly unless connected to a "grounded" electrical circuit. Electrical shock, overheating, low or no light output, and shortened lamp life can result if proper grounding is not done. Securely attach green (or green and yellow) wire from supply to ground wire from fixture with a wire nut.
- B. Using wire nuts, connect white (neutral) supply wire to white fixture lead. Connect black (hot) supply wire to black fixture lead. Pull on each wire lead to make sure connections are secure. Make certain no bare wires are exposed outside of wire nuts.

3. Mounting-

- A. Place fixture mounting plate (1) over the junction box (Not Included) with the connected wires tucked inside. Secure to the junction box with two #8-32 screws (2), making sure the mounting plate is tight up against the ceiling.
- B. Place the fixture driver housing (3) over the fixture mounting plate (1) aligning the side holes (4). Then using the two #4-40 screws (5) tighten fixture into place.

4. Restore power at the fuse or breaker box.



Limited Factory Warranty

AFX Inc. hereby warrants that this fixture is free from defects in materials and workmanship when installed and used under normal operating conditions for a period of 5 years from date of shipment from factory. This warranty covers all component parts and extends only to replacement of defective fixture or components; it does not cover failure due to improper installation, misuse, mishandling or damage incurred in transit.