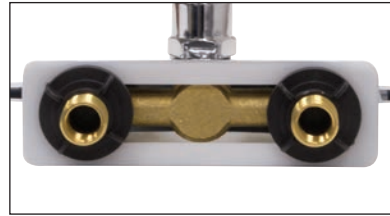




K-60 8-1/2" GOOSENECK SPLASH MOUNT FAUCET

Conforms To NSF 61/9 Lead Free Requirements



BOTTOM VIEW
1/2" NPS (OUTSIDE THREAD)
3/8" NPT (INSIDE THREAD)

FAUCET AERATOR CONFORM TO
ASTM.A112.18.1M • 1.0 GPM/3.8 LP
THREAD: 55/64 - 27 FEMALE

Item #: _____ Qty #: _____
Model #: _____
Project #: _____

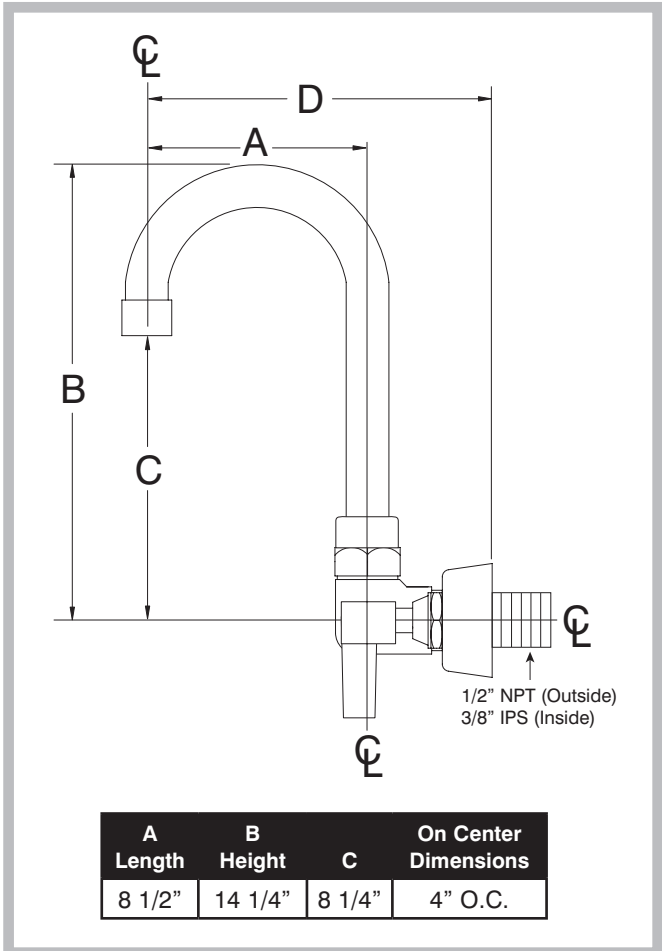
FEATURES:

- 8-1/2" swivel gooseneck spout.
- 4" O.C. water supply.
- Colored hot & cold Indexes.
- 1.0 GPM/3.8 LPM Aerator. 60 PSI.

MATERIAL:

- Brass chrome plated body & spout.
- Chrome plated handles.

DIMENSIONS and SPECIFICATIONS



A Length	B Height	C	On Center Dimensions
8 1/2"	14 1/4"	8 1/4"	4" O.C.

Options & Accessories

Replacement Spout For K-59 Faucet

3-1/2" Gooseneck Spout Only.

K-59SP



Low Flow Aerator

.5 GPM

K-08



Faucet Repair Kit*

K-00A (Set of 2)

Includes 2 Cartridges and 2 Handles With Red & Blue Indexes



Wrist Handles*

K-316-LU (Set of 2)

For a Complete faucet with Wrist Handles, See our **K-316** Spec Sheet.



*Can Only Be Used On Faucets Purchased After January 2016. For Older Faucets, Consult Customer Service.

WARNING:

Faucet(s) on this page may expose you to chemicals, including lead, that are known to the State of California to cause cancer or birth defects or other reproductive harm. For more Info., visit www.p65warnings.ca.gov.



Customer Service Available To Assist You **1-800-645-3166** 8:30 am - 7:00 pm E.S.T.

For Orders & Customer Service:

Email: customer@advancetabco.com or Fax: 631-242-6900

For Smart Fabrication™ Quotes:

Email: smartfab@advancetabco.com or Fax: 631-586-2933